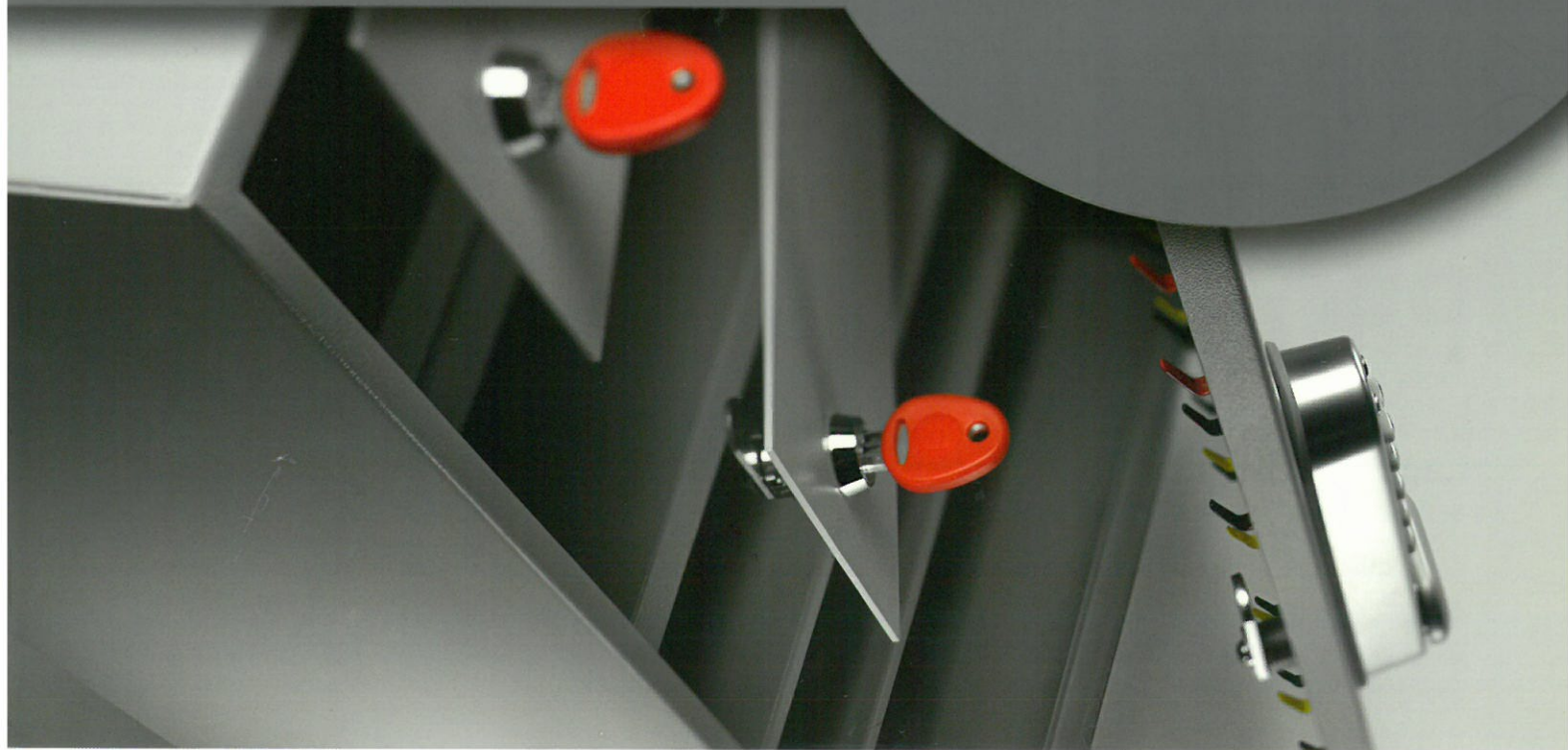


PRODUCT GUIDE

SOLID SECURITY SOLUTIONS



**COBRA SECURITY
SYSTEMS LTD**
155 STATION ROAD
LONDON E4 6AG
Tel: 0208 529 5710/0179



SECURIKEY®
The key to security



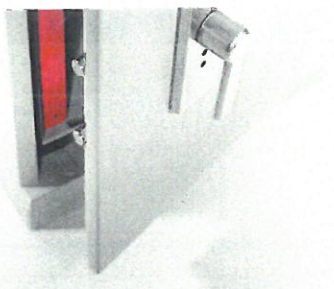


WELCOME TO THE SECURIKEY

PRODUCT GUIDE

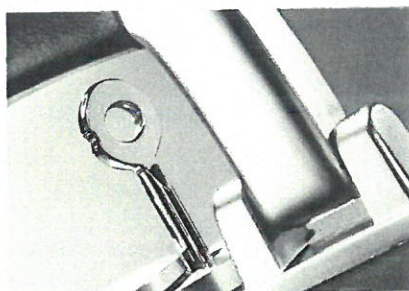
For nearly 40 years Securikey has been a trusted partner of many UK companies and institutions, supplying a comprehensive range of innovative safety and security products which meet the requirements of even the most demanding of environments.

Combining our technical expertise and knowledge of security with continued evaluation of customer experience and development of our products, we have provided peace of mind and protection to people, buildings and businesses alike; from the smallest shop to the largest retail store; workshops to factories; local authorities to central Government agencies; financial institutions to NHS trusts, schools, colleges and universities.



QUALITY:

Through quality design, manufacture and support and a commitment to customer service, we've earned an enviable reputation in safety and security management products. Before reaching you, each of our products is rigorously tested.



INNOVATION:

While performance is key, we also believe that our products should be as convenient, easy to install, simple to use and adaptable to future needs as they are effective. That's why we are continually developing our range of products and their applications



EXPERTISE:

Much of our reputation is built on listening to our customers and a commitment to ensuring that you find the product which best meets your need. So whether you're a major corporation, a public sector body or a small independent company, our team is always there to help.



Bronze Rated

SPECIALIST SYSTEMS

Having all the same features and benefits of our System cabinets, this specialist range of products has been designed to suit specific applications. Examples of this are cabinets designed to house padlocks and keys used to isolate switchgear or machinery, clear fronted cabinets for instant visual check of all stored keys and emergency key boxes to house a restricted key near to a locked door in case of emergency.



System 35 Portable



BCDF

PADLOCK SECURITY SYSTEMS

Model	External Dimensions (mm)			Weight (kg)	Holds up to
	Height	Width	Depth		
System 24 Padlock ¹	355	300	120	5	24 padlocks
System 50 Padlock ¹	550	380	140	10	50 padlocks
System 100 Padlock ¹	550	730	140	17	100 padlocks

¹ Padlocks not supplied.



DF

KEY VIEW SYSTEMS

Model	External Dimensions (mm)			Weight (kg)	Holds up to
	Height	Width	Depth		
System 24 Key View	355	300	80	4	24 keys
System 32 Key View	450	300	80	5	32 keys
System 50 Key View	550	380	80	6	50 keys



DF

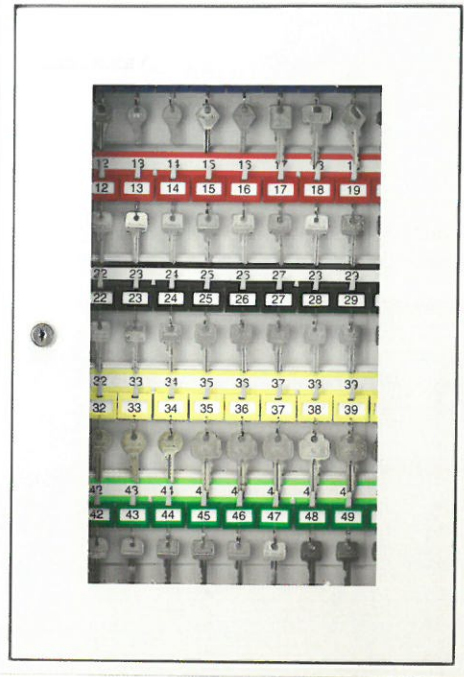
PORTABLE KEY SYSTEMS

Model	External Dimensions (mm)			Weight (kg)	Holds up to
	Height	Width	Depth		
System 20 Portable ²	260	185	80	2	20 keys
System 30 Portable	305	215	80	3	30 keys
System 35 Portable	320	245	80	3	35 keys
System 63 Portable	320	245	100	5	63 keys

² No control index.

MULTIPLE LOCKING OPTIONS AVAILABLE – SEE PAGE 5

System 50 Key View



Padlock Security System

PADLOCK SECURITY SYSTEMS:

- Designed to house padlocks and keys to isolate switchgear or machinery.
- Available in 3 sizes.
- Holds up to 100 locks.
- Fitted with extra deep hooks, staggered and spaced 54mm apart.

KEY VIEW SYSTEMS:

- Key View has the same features and benefits as our System Key Cabinets.
- Key View cabinets have a plexi-glass front for easy viewing of stored keys.
- Holds up to 50 keys.



Bronze Rated

SYSTEM CABINETS

Affordable key control

These cabinets are best suited to domestic and commercial use for key control and tracking. Constructed from pressed and folded steel and secured with a choice of multiple locking options, the cabinets provide the space to store and track up to 600 keys and include adjustable hook bars to accommodate different key lengths. Each model has a removable control index for out-of-hours peace of mind, colour-coded hook bars and tags to ensure quick identification, both of which are numbered.

For larger requirements, our range of deep system cabinets provide the extra space required to accommodate bunches or a mixture of bunches and individual keys.

- Includes security seals and loops to secure keys that require clear evidence of tampering or removal.



SYSTEM CABINETS

Model	External Dimensions (mm)			Weight (kg)	Holds up to
	Height	Width	Depth		
System 20 ¹	260	185	80	2	20 keys
System 30	305	215	80	3	30 keys
System 35	320	245	80	3	35 keys
System 48	355	300	80	4	48 keys
System 64	450	300	80	5	64 keys
System 100	550	380	80	8	100 keys
System 150	550	380	140	13	150 keys
System 200	550	380	140	14	200 keys
System 250	550	380	205	17	250 keys
System 300	550	380	205	18	300 keys
System 400	550	730	140	23	400 keys
System 500	550	730	205	32	500 keys
System 600	550	730	205	34	600 keys

¹ No control index.

DEEP SYSTEMS

Model	External Dimensions (mm)			Weight (kg)	Holds up to
	Height	Width	Depth		
System 35 Deep ²	320	245	100	3	35 bunches
System 48 Deep	355	300	120	5	48 bunches
System 100 Deep	550	380	140	8	100 bunches
System 150 Deep	550	380	205	14	150 bunches
System 200 Deep	550	730	140	18	200 bunches

² Available as key locking only.



EURO CYLINDER SYSTEMS

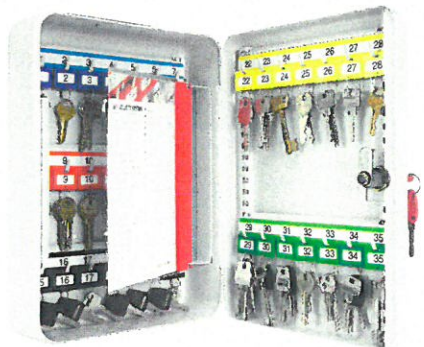
Model	External Dimensions (mm)			Weight (kg)	Holds up to
	Height	Width	Depth		
System 20 Euro	305	215	80	3	20 keys
System 48 Euro	355	300	80	4	48 keys
System 100 Euro	550	380	80	8	100 keys

MULTIPLE LOCKING OPTIONS AVAILABLE – SEE PAGE 5

System 100



System 35



Security Seal and Loops



Padlocking Cam Lock

System Cabinets

SYSTEM CABINETS						
Model	External Dimensions (mm)			Weight (kg)	Holds up to	Price ex. VAT
	Height	Width	Depth			
System 20 ¹	260	185	80	2	20 keys	£62.00
System 30	305	215	80	3	30 keys	£77.00
System 48	355	300	80	4	48 keys	£144.00
System 64	450	300	80	5	64 keys	£196.00
System 100	550	380	80	8	100 keys	£237.00
System 200	550	380	140	14	200 keys	£422.00
System 300	550	380	205	18	300 keys	£536.00
System 400	550	730	140	23	400 keys	£719.00
System 600	550	730	205	34	600 keys	£1,004.00
DEEP SYSTEMS						
System 35 Deep ²	320	245	100	3	35 bunches	£118.00
System 48 Deep	355	300	120	5	48 bunches	£175.00
System 100 Deep	550	380	140	8	100 bunches	£309.00
System 150 Deep	550	380	205	14	150 bunches	£422.00
System 200 Deep	550	730	140	18	200 bunches	£587.00
EURO CYLINDER SYSTEMS						
System 48 Euro	355	300	80	4	48 keys	£204.30
System 100 Euro	550	380	80	8	100 keys	£321.30

¹No control index • ²Reduced locking options

Key Vault

KEY VAULT						
Key Vault 30	305	230	70	6	30 keys	£145.00
Key Vault 48	355	300	80	8	48 keys	£216.00
Key Vault 100	550	380	80	13	100 keys	£356.00
Key Vault 200	550	380	140	20	200 keys	£589.00
Key Vault 400	550	730	140	34	400 keys	£1,009.00
Key Vault 600	550	730	205	43	600 keys	£1,224.00
DEEP KEY VAULT						
Key Vault 48 Deep	355	300	140	8	48 bunches	£247.00
Key Vault 100 Deep	550	380	140	14	100 bunches	£423.00
Key Vault 200 Deep	550	730	140	30	200 bunches	£703.00
KEY VAULT PADLOCK						
Key Vault 50 Padlocks	550	380	140	14	50 padlocks	£471.00
Key Vault 100 Padlocks	550	730	140	30	100 padlocks	£784.00



Bronze Rated

EURO VAULT (£1,500 cash rating)*

Utilizing the same build quality as our Mini Vault range these safes will take a laptop, cash drawer, box file or valuables and are available with either a motorised electronic lock with keypad for the convenience of keyless entry or Euro Profile Cylinder, for those customers who wish to integrate their safe with house or business security arrangements. Perfect for any situation where cost and flexibility are paramount.

KEY LOCK VERSION:

- Manufactured with a 2mm body and 4mm anti-bludgeon flush fit door, with 20mm hardened steel locking bolts.
- Supplied with Euro Profile half cylinder. 40mm length.

ELECTRONIC VERSION:

- Locking is via a motorised lock with keypad.
- The lock has a single use code similar to those used in hotels, this means the user code can be changed each time the safe is used.
- A management override key and master code ensures emergency entry at all times.

GAS STRUT ELECTRONIC:

- Designed to allow installation in areas with limited access, this unit has a larger door and integrated light.
- Hinged door with gas strut assistance.
- Locking is via a motorised lock with keypad.



Euro Vault Gas Strut



Gas Strut Internal Light



Euro Profile Cylinder Locking



Euro Vault Electronic



£1,500

EURO VAULT

Model	External Dimensions (mm)			Internal Dimensions (mm)			Weight (kg)	Volume (l)	Shelves
	Height	Width	Depth	Height	Width	Depth			
Euro Vault Key	200	500	400	195	495	350	17	34	-
Euro Vault Electronic	200	500	400	195	495	350	17	34	-
Euro Vault Gas Strut	150	400	350	95	395	345	12	13	-

*Insurance ratings may vary dependent on risk & location. Please check with your insurers.



Silver Rated

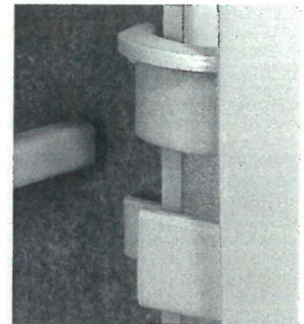
MINI VAULT SILVER

(£4,000 cash rating)*

The Mini Vault Silver is ideal for the safekeeping of cash and valuables. Whilst the manufacturing techniques used provide a robust unit for domestic and commercial applications, its internal fittings are those you would expect to protect delicate valuables, such as watches, jewellery and electronic tablets. This protection is achieved by utilising an anti-bludgeon laser cut door (to prevent prying and chisel attack) mounted on concealed hinges and hardened steel plates to protect all vulnerable areas.



Jewellery Shelf



Concealed Hinge & Dog Bolt

- Manufactured with a 4mm body and 8mm anti-bludgeon flush fit door, with 25mm hardened steel locking bolts.
- Available in 4 sizes, plus 2 deposit options.
- A choice of key or electronic locking mechanisms, the electronic options offers changeable codes, low power warning and LED indicators.
- All models have felt lined walls, thick foam base pad, jewellery shelf** and battery operated motion sensitive light.
- Mini Vault 3 has been designed to accommodate a till or jewellery draw of a width 410mm.



MINI VAULT SILVER

Model	External Dimensions (mm)			Internal Dimensions (mm)			Weight (kg)	Volume (l)	Shelves
	Height	Width	Depth	Height	Width	Depth			
Mini Vault 0	250	374	274	240	354	210	22	18	-
Mini Vault 1	294	374	325	282	354	260	29	26	1
Mini Vault 2	532	374	425	522	354	360	52	67	2
Mini Vault 3	470	435	405	455	420	355	52	68	1

* Insurance ratings may vary dependent on risk, locking and location. Please check with your insurers. ** Where applicable

MULTIPLE LOCKING OPTIONS AVAILABLE – SEE PAGE 5 • DEPOSIT OPTIONS AVAILABLE – SEE PAGE 26

Master Lock® Security Safes

Model		Dimensions (mm)			Weight (kg)	Volume (l)	Shelves	Price ex. VAT
		Height	Width	Depth				
LX-110BEURHRO	ext	195	430	370	10.6	25.4	–	£210.00
	int	192	427	310				
X031	ext	167	290	264	4.4	9.9	–	£58.00
	int	163	286	213				
X055	ext	220	350	270	6.4	16.4	–	£132.00
	int	216	346	220				
X075	ext	180	430	370	7.8	22	–	£150.00
	int	176	426	294				
X125	ext	270	430	370	12.2	33.3	–	£207.00
	int	266	426	294				
T6-331	ext	610	390	410	47	61.7	2	£394.00
	int	582	363	292				
T8-331	ext	700	550	502	88.5	119.9	2	£515.00
	int	655	520	352				
T0-331	ext	950	551	502	99.8	169.7	3	£597.00
	int	909	520	359				

Micro Vault Cash Rating £1,000

Micro Vault 1 Electronic	ext	200	310	200	6.9	8	–	£84.00
	int	195	305	139				
Micro Vault 2 Electronic	ext	250	350	250	10.1	16	1	£106.00
	int	245	345	189				
Micro Vault 2 Key Lock	ext	250	350	250	10.1	16	1	£95.00
	int	245	345	189				

Euro Vault Cash Rating £1,500

Euro Vault Key	ext	200	500	400	17	34	–	£130.00
	int	195	495	350				
Euro Vault Electronic	ext	200	500	400	17	34	–	£157.00
	int	195	495	350				
Euro Vault Gas Strut	ext	150	400	350	12	13	–	£170.00
	int	95	395	345				
Euro Vault 12L Drawer	ext	205	400	370	14	12	–	£196.00
	int	135	305	295				
Euro Vault 17L Drawer	ext	200	510	380	18	17	–	£215.00
	int	140	405	305				

Insurance Companies' ratings can vary with higher or lower figures applied depending upon risk, location and locking option. Please check with your insurers.



Gold Rated



MINI VAULT GOLD FR

(£4,000 cash rating)*

The Mini Vault Gold FR is ideal for the safekeeping of documents, valuables and cash. Whilst the manufacturing techniques used are intrinsically the same as Mini Vault Silver the FR model benefits from a double walled construction, with a fire resistant barrier material to DIN 4102. The inclusion of this second level of protection gives the FR model its fire protection.

- Combined body thickness of 6mm, an 8mm anti-bludgeon door with 25mm hardened steel locking bolts.
- Available in 4 sizes.
- Choice of key or electronic locking mechanisms. The electronic options offer changeable codes, multiple users, low power warning and LED indicators.
- All models include jewellery shelf** and battery operated motion sensitive light, fixing bolts, batteries and operating instructions.



Mini Vault 3 FR



Mini Vault Gold FR Range



GJ £4,000

MINI VAULT GOLD FR

Model	External Dimensions (mm)			Internal Dimensions (mm)			Weight (kg)	Volume (l)	Shelves
	Height	Width	Depth	Height	Width	Depth			
Mini Vault 0 FR	250	374	274	138	304	168	25	7	-
Mini Vault 1 FR	294	374	325	182	304	220	32	12	1
Mini Vault 2 FR	532	374	425	420	304	320	62	41	2
Mini vault 3 FR	470	435	405	350	360	305	62	38	1

* Insurance ratings may vary dependent on risk, locking and location. Please check with your insurers. ** Where applicable.

MULTIPLE LOCKING OPTIONS AVAILABLE – SEE PAGE 5



EURO GRADE o (£6,000 cash rating)*

Constructed to exceed the criteria laid down by the insurance and security industry, these Euro Grade 'o' safes are also designed to blend in with today's modern environments, a subtle combination of material and components that function well beyond our customers expectations. The lightweight construction encourages increased installation opportunities with fixing made through twin anchor points.

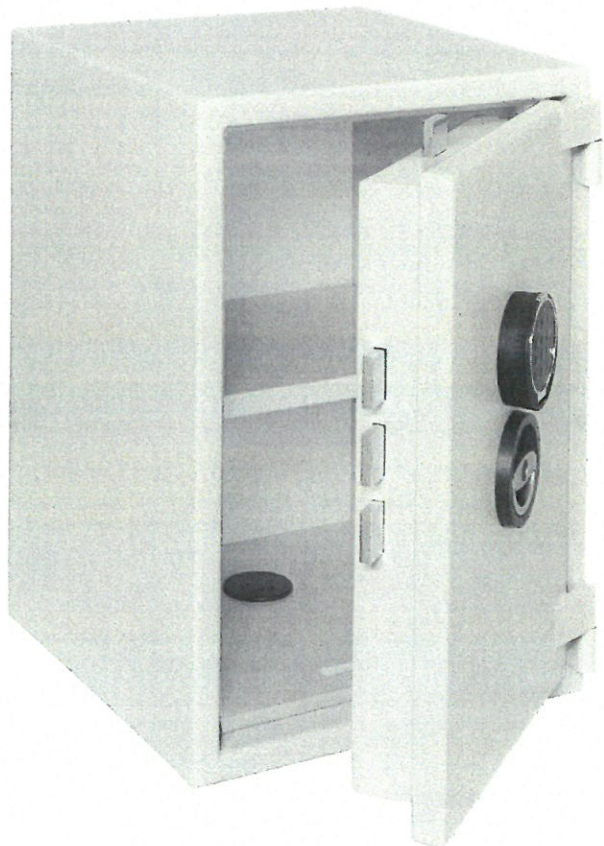
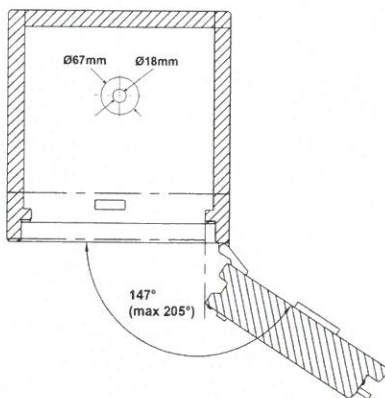


Electronic Locking Option



Adjustable Shelf

- £6,000 overnight cash cover (£60,000 valuables)*
- 30 minutes protection from fire at 750° C – BS476-20
- Manufactured in accordance with EN 1143-1:2005 and independently tested and certified by VdS test house
- 3-way square locking bolt work, with continuous hinge side protection
- Door open to 205° for maximum access
- Fitted with VdS class 1 double bitted safe lock & 2 keys
- Optional combination or electronic locking available
- Internal door pan is locked to prevent tampering
- Supplied with adjustable (50mm intervals)/removable shelf
- Deposit Models available



EURO GRADE o SINGLE KEY LOCK

Model	External Dimensions (mm)			Internal Dimensions (mm)			Approx. Weight (kg)	Volume (l)
	Height	Width	Depth ¹	Height	Width	Depth		
EGØ015 ²	395	325	300	334	275	180	72	17
EGØ025 ²	395	405	345	334	355	225	91	27
EGØ035 ²	395	405	425	334	355	305	105	36
EGØ055 ²	570	405	425	509	355	305	135	55
EGØ085	570	505	495	509	455	375	172	87
EGØ095 ³	755	505	425	694	455	305	192	96

¹Excludes 25mm for hinge/handle protection ² Locking option G available only ³ Dual locking available on model Ø095 • Insurance ratings may vary dependent on risk & location. Please check with your insurers.

MULTIPLE LOCKING OPTIONS AVAILABLE – SEE PAGE 5

Mini Vault Cash Rating £4,000

MINI VAULT SILVER S2

Model		Dimensions (mm)			Weight (kg)	Volume (l)	Shelves	Price ex. VAT	
		Height	Width	Depth				Key Lock	Electronic
Mini Vault 0	ext	250	374	274	23	18	-	£227.00	£302.00
	int	240	354	210					
Mini Vault 1	ext	294	374	325	29	26	1	£255.00	£339.00
	int	282	354	260					
Mini Vault 2	ext	532	374	425	52	67	2	£397.00	£443.00
	int	522	354	360					
Mini Vault 3	ext	470	435	405	50	68	1	£416.00	£472.00
	int	455	420	355					

MINI VAULT GOLD FR S2

Mini Vault 0 FR	ext	250	374	274	26	7	-	£264.00	£339.00
	int	138	304	168					
Mini Vault 1 FR	ext	294	374	325	32	12	1	£303.00	£380.00
	int	182	304	220					
Mini Vault 2 FR	ext	532	374	425	58	41	2	£431.00	£507.00
	int	420	304	320					
Mini Vault 3 FR	ext	470	435	405	55	38	1	£441.00	£536.00
	int	350	360	305					

ACCESSORIES

Shelf Mini Vaults 1, 2 and 3 - Silver and Gold

Insurance Companies' ratings can vary with higher or lower figures applied depending upon risk, location and locking option. If it is important then please check with your insurers.

Euro Grade 0 Single Key Lock Cash Rating £6,000

Model		Dimensions (mm)			Weight (kg)	Volume (l)	Shelves	Price ex. VAT
		Height	Width	Depth				
0015	ext	395	325	300 ¹	72	17	1	£608.00
	int	334	275	180				
0025	ext	395	405	345 ¹	91	27	1	£650.00
	int	334	355	225				
0035	ext	395	405	425 ¹	105	36	1	£855.00
	int	334	355	305				
0055	ext	570	405	425 ¹	135	55	1	£1,033.00
	int	509	355	305				

Euro Grade 0 Single Key Lock Cash Rating £6,000 (continued)

Model		Dimensions (mm)			Weight (kg)	Volume (l)	Shelves	Price ex. VAT
		Height	Width	Depth				
0085	ext	570	505	495 ¹	172	87	1	£1,175.00
	int	509	455	375				
0095 ²	ext	755	505	425 ¹	192	96	1	£1,265.00
	int	694	455	305				

¹ Excludes 25mm for hinge/handle protection • ² Dual locking available on model 0095 • Insurance Companies' ratings can vary with higher or lower figures applied depending upon risk, location and locking option. If it is important then please check with your insurers.



EURO GRADE 0 (£6,000 cash rating)*

Constructed to exceed the criteria laid down by the insurance and security industry, these Euro Grade '0' safes are also designed to blend in with today's modern environments, a subtle combination of material and components that function well beyond our customers expectations. The lightweight construction encourages increased installation opportunities with fixing made through twin anchor points.

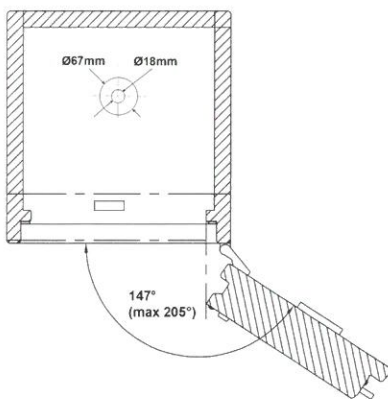
- £6,000 overnight cash cover (£60,000 valuables)*
- 30 minutes protection from fire at 750° C – BS476-20
- Manufactured in accordance with EN 1143-1:2005 and independently tested and certified by VdS test house
- 3-way square locking bolt work, with continuous hinge side protection
- Door open to 205° for maximum access
- Fitted with VdS class 1 double bitted safe lock & 2 keys
- Optional combination or electronic locking available
- Internal door pan is locked to prevent tampering
- Supplied with adjustable (50mm intervals)/removable shelf
- Deposit Models available



Electronic Locking Option



Adjustable Shelf



EG0055



EURO GRADE 0 SINGLE KEY LOCK

Model	External Dimensions (mm)			Internal Dimensions (mm)			Approx. Weight (kg)	Volume (l)
	Height	Width	Depth ¹	Height	Width	Depth		
EG0015 ²	395	325	300	334	275	180	72	17
EG0025 ²	395	405	345	334	355	225	91	27
EG0035 ²	395	405	425	334	355	305	105	36
EG0055 ²	570	405	425	509	355	305	135	55
EG0085	570	505	495	509	455	375	172	87
EG0095 ³	755	505	425	694	455	305	192	96

¹Excludes 25mm for hinge/handle protection ² Locking option G available only ³ Dual locking available on model 0095 • Insurance ratings may vary dependent on risk & location. Please check with your insurers.

MULTIPLE LOCKING OPTIONS AVAILABLE – SEE PAGE 5



Gold Rated



MINI VAULT GOLD FR (£4,000 cash rating)*

The Mini Vault Gold FR is ideal for the safekeeping of documents, valuables and cash. Whilst the manufacturing techniques used are intrinsically the same as Mini Vault Silver the FR model benefits from a double walled construction, with a fire resistant barrier material to DIN 4102. The inclusion of this second level of protection gives the FR model its fire protection.

- Combined body thickness of 6mm, an 8mm anti-bludgeon door with 25mm hardened steel locking bolts.
- Available in 4 sizes.
- Choice of key or electronic locking mechanisms. The electronic options offer changeable codes, multiple users, low power warning and LED indicators.
- All models include jewellery shelf** and battery operated motion sensitive light, fixing bolts, batteries and operating instructions.



Mini Vault 3 FR



Mini Vault Gold FR Range



MINI VAULT GOLD FR

Model	External Dimensions (mm)			Internal Dimensions (mm)			Weight (kg)	Volume (l)	Shelves
	Height	Width	Depth	Height	Width	Depth			
Mini Vault 0 FR	250	374	274	138	304	168	25	7	-
Mini Vault 1 FR	294	374	325	182	304	220	32	12	1
Mini Vault 2 FR	532	374	425	420	304	320	62	41	2
Mini vault 3 FR	470	435	405	350	360	305	62	38	1

* Insurance ratings may vary dependent on risk, locking and location. Please check with your insurers. ** Where applicable.

MULTIPLE LOCKING OPTIONS AVAILABLE – SEE PAGE 5

Mini Vault Cash Rating £4,000

MINI VAULT SILVER S2

Model		Dimensions (mm)			Weight (kg)	Volume (l)	Shelves	Price ex. VAT	
		Height	Width	Depth				Key Lock	Electronic
Mini Vault 0	ext	250	374	274	23	18	-	£227.00	£302.00
	int	240	354	210					
Mini Vault 1	ext	294	374	325	29	26	1	£255.00	£339.00
	int	282	354	260					
Mini Vault 2	ext	532	374	425	52	67	2	£397.00	£443.00
	int	522	354	360					
Mini Vault 3	ext	470	435	405	50	68	1	£416.00	£472.00
	int	455	420	355					

MINI VAULT GOLD FR S2

Mini Vault 0 FR	ext	250	374	274	26	7	-	£264.00	£339.00
	int	138	304	168					
Mini Vault 1 FR	ext	294	374	325	32	12	1	£303.00	£380.00
	int	182	304	220					
Mini Vault 2 FR	ext	532	374	425	58	41	2	£431.00	£507.00
	int	420	304	320					
Mini Vault 3 FR	ext	470	435	405	55	38	1	£441.00	£536.00
	int	350	360	305					

ACCESSORIES

Shelf Mini Vaults 1, 2 and 3 - Silver and Gold

Insurance Companies' ratings can vary with higher or lower figures applied depending upon risk, location and locking option. If it is important then please check with your insurers.

Euro Grade 0 Single Key Lock Cash Rating £6,000

Model		Dimensions (mm)			Weight (kg)	Volume (l)	Shelves	Price ex. VAT
		Height	Width	Depth				
0015	ext	395	325	300 ¹	72	17	1	£608.00
	int	334	275	180				
0025	ext	395	405	345 ¹	91	27	1	£650.00
	int	334	355	225				
0035	ext	395	405	425 ¹	105	36	1	£855.00
	int	334	355	305				
0055	ext	570	405	425 ¹	135	55	1	£1,033.00
	int	509	355	305				

Euro Grade 0 Single Key Lock Cash Rating £6,000 (continued)

Model		Dimensions (mm)			Weight (kg)	Volume (l)	Shelves	Price ex. VAT
		Height	Width	Depth				
0085	ext	570	505	495 ¹	172	87	1	£1,175.00
	int	509	455	375				
0095 ²	ext	755	505	425 ¹	192	96	1	£1,265.00
	int	694	455	305				

¹ Excludes 25mm for hinge/handle protection • ² Dual locking available on model 0095 • Insurance Companies' ratings can vary with higher or lower figures applied depending upon risk, location and locking option. If it is important then please check with your insurers.



CASH SAFES AND CABINETS

EURO GRADE 1

(£10,000 cash rating)*

Using the latest technology and with close consultation with what is recognised as one of the best independent test houses, these safes have been designed to perform under the toughest conditions. Their ultra modern appearance and lightweight construction allows integration in to most environments.

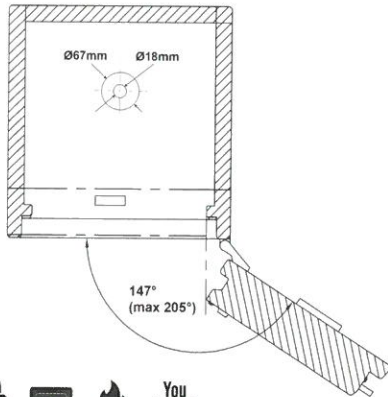
- Tested and certified according to EN 1143-1 Security Grade I.
- Fitted with solid steel sliding bolts on three sides, continuous hinge protection and a single security key lock.
- Multiple locking options available.
- Fire resistant door seal and base fixing point with rear fixing option included as standard. Tested to BS476-20.
- Optional fittings include adjustable shelving, a lockable compartment, metal door pocket and a rotary or tube deposit facility.
- Dual locking available on models 1095N to 1780.
- Bespoke RAL colours available – please contact us for details.



3-Way Locking Bolts



Electronic Locking Option



EURO GRADE 1 SINGLE KEY LOCKING

Model	External Dimensions (mm)			Internal Dimensions (mm)			Approx. Weight (kg)	Volume (l)	Lever Arch Files	Shelves
	Height	Width	Depth ¹	Height	Width	Depth				
1015N ²	410	335	300	334	275	180	55	17	–	1
1025N ²	410	415	345	334	355	225	75	27	–	1
1035N ²	410	415	425	334	355	305	85	36	4	1
1055N ²	585	415	425	509	355	305	105	55	4	1
1085N	585	515	495	509	455	375	130	87	6	1
1095N	770	515	425	694	455	305	155	96	12	1
1120N	940	515	425	864	455	305	180	120	12	2
1180N	1,120	515	495	1,044	455	375	225	178	18	2
1410N	1,475	765	535	1,399	705	415	375	409	36	3
1535	1,850	840	580	1,720	730	415	495	521	45	4
1780 ³	1,850	1,190	580	1,720	1,080	415	665	771	70	4

¹45mm extra depth with handle and different locks. ² Locking option G available only. ³ Double doors.

*Insurance ratings may vary dependent on risk & location. Please check with your insurers.

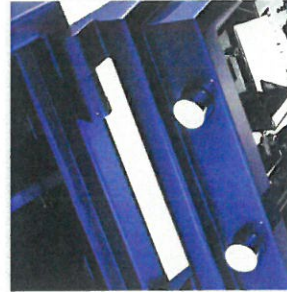
MULTIPLE LOCKING OPTIONS AVAILABLE – SEE PAGE 5 • DEPOSIT OPTIONS AVAILABLE – SEE PAGE 26



EURO GRADE 2 (£17,500 cash rating)*

As with all our Euro Graded safes this model is constructed from solid steel with a composite slab door. The smallest model at 39litres capacity is one of the most compact Grade 2 safes in the market today. With a range extending to a capacity of 771litres there is a model to suit virtually any application.

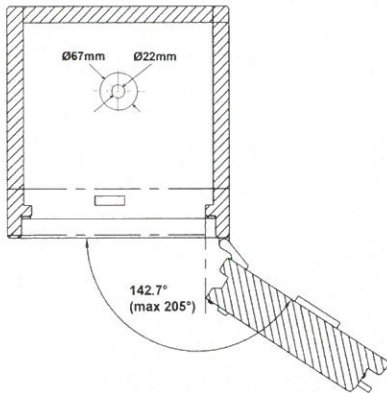
- Tested and certified according to EN 1143-1 Security Grade II.
- Fitted with solid steel sliding bolts on three sides, continuous hinge protection and a single security key lock.
- Multiple locking options available.
- Fire resistant door seal and base fixing point with rear fixing option included as standard. Tested to BS476-20.
- Optional fittings include adjustable shelving, a lockable compartment, metal door pocket and a rotary or tube deposit facility.
- Dual locking available on models 2070N to 2780.
- Bespoke RAL colours available – please contact us for details.



Bespoke RAL colours available on all grades and sizes



Auditable Electronic Lock Option



EURO GRADE 2 SINGLE KEY LOCKING

Model	External Dimensions (mm)			Internal Dimensions (mm)			Approx. Weight (kg)	Volume (l)	Lever Arch Files	Shelves
	Height	Width	Depth ¹	Height	Width	Depth				
2040N ²	430	460	450	334	380	305	137	39	5	1
2070N ³	605	535	450	509	455	305	200	71	6	1
2095N ³	790	535	450	694	455	305	247	96	12	1
2175N ³	960	610	530	864	530	385	344	176	14	2
2215N ³	1,140	610	530	1,044	530	385	397	213	21	2
2285N ³	1,495	610	530	1,399	530	385	501	285	28	3
2395N ³	1,495	760	560	1,399	680	415	599	395	36	3
2440N ³	1,320	760	675	1,224	680	530	585	441	27	2
2535 ³	1,850	840	580	1,720	730	415	815	521	45	4
2780 ^{3,4}	1,850	1,190	580	1,720	1,080	415	1,045	771	70	4

¹ 45mm extra depth with handle and different locks. ² Locking option G available only. ³ Dual locking available on models 2070N to 2780. ⁴ Double doors.

*Insurance ratings may vary dependent on risk & location. Please check with your insurers.

MULTIPLE LOCKING OPTIONS AVAILABLE – SEE PAGE 5 • DEPOSIT OPTIONS AVAILABLE – SEE PAGE 26

Euro Grade 1 Single Key Lock Cash Rating £10,000

Model		Dimensions (mm)			Weight (kg)	Volume (l)	Lever Arch Files	Shelves	Price ex. VAT
		Height	Width	Depth					
1015N	ext	410	335	300 ¹	55	17	-	1	£715.00
	int	334	275	180					
1025N	ext	410	415	345 ¹	75	27	-	1	£755.00
	int	334	355	225					
1035N	ext	410	415	425 ¹	85	36	4	1	£820.00
	int	334	355	305					
1055N	ext	585	415	425 ¹	105	55	4	1	£1,120.00
	int	509	355	305					
1085N	ext	585	515	495 ¹	130	87	6	1	£1,315.00
	int	509	455	375					
1095N	ext	770	515	425 ¹	155	96	12	1	£1,520.00
	int	694	455	305					
1120N	ext	940	515	425 ¹	180	120	12	2	£1,724.00
	int	864	455	305					
1180N	ext	1,120	515	495 ¹	225	178	18	2	£1,943.00
	int	1,044	455	375					
1410N	ext	1,475	765	535 ¹	375	409	36	3	£3,192.00
	int	1,399	705	415					
1535	ext	1,850	840	580 ¹	495	521	45	4	£3,413.00
	int	1,720	730	415					
1780 ²	ext	1,850	1,190	580 ¹	665	771	70	4	£4,774.00
	int	1,720	1,080	415					

¹ 45mm extra depth with handle and different locks • ² Double doors • Dual locking available on models 1095N to 1780 • Insurance Companies' ratings can vary with higher or lower figures applied depending upon risk, location and locking option. If it is important then please check with your insurers.



EURO GRADE 2 (£17,500 cash rating)*

As with all our Euro Graded safes this model is constructed from solid steel with a composite slab door. The smallest model at 39litres capacity is one of the most compact Grade 2 safes in the market today. With a range extending to a capacity of 771litres there is a model to suit virtually any application.

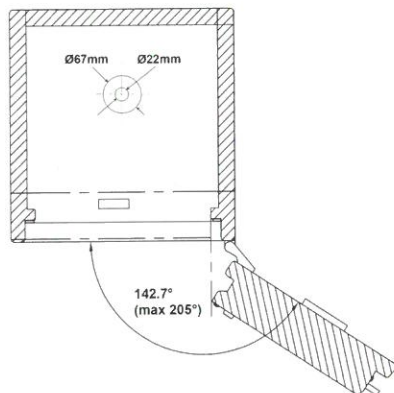
- Tested and certified according to EN 1143-1 Security Grade II.
- Fitted with solid steel sliding bolts on three sides, continuous hinge protection and a single security key lock.
- Multiple locking options available.
- Fire resistant door seal and base fixing point with rear fixing option included as standard. Tested to BS476-20.
- Optional fittings include adjustable shelving, a lockable compartment, metal door pocket and a rotary or tube deposit facility.
- Dual locking available on models 2070N to 2780.
- Bespoke RAL colours available – please contact us for details.



Bespoke RAL colours available on all grades and sizes



Auditable Electronic Lock Option



EURO GRADE 2 SINGLE KEY LOCKING

Model	External Dimensions (mm)			Internal Dimensions (mm)			Approx. Weight (kg)	Volume (l)	Lever Arch Files	Shelves
	Height	Width	Depth ¹	Height	Width	Depth				
2040N ²	430	460	450	334	380	305	137	39	5	1
2070N ³	605	535	450	509	455	305	200	71	6	1
2095N ³	790	535	450	694	455	305	247	96	12	1
2175N ³	960	610	530	864	530	385	344	176	14	2
2215N ³	1,140	610	530	1,044	530	385	397	213	21	2
2285N ³	1,495	610	530	1,399	530	385	501	285	28	3
2395N ³	1,495	760	560	1,399	680	415	599	395	36	3
2440N ³	1,320	760	675	1,224	680	530	585	441	27	2
2535 ³	1,850	840	580	1,720	730	415	815	521	45	4
2780 ^{3,4}	1,850	1,190	580	1,720	1,080	415	1,045	771	70	4

¹ 45mm extra depth with handle and different locks. ² Locking option G available only. ³ Dual locking available on models 2070N to 2780. ⁴ Double doors.
 *Insurance ratings may vary dependent on risk & location. Please check with your insurers.

MULTIPLE LOCKING OPTIONS AVAILABLE – SEE PAGE 5 • DEPOSIT OPTIONS AVAILABLE – SEE PAGE 26



EURO GRADE 1 (£10,000 cash rating)*

Using the latest technology and with close consultation with what is recognised as one of the best independent test houses, these safes have been designed to perform under the toughest conditions. Their ultra modern appearance and lightweight construction allows integration in to most environments.

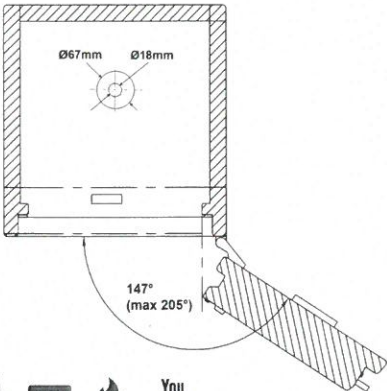
- Tested and certified according to EN 1143-1 Security Grade I.
- Fitted with solid steel sliding bolts on three sides, continuous hinge protection and a single security key lock.
- Multiple locking options available.
- Fire resistant door seal and base fixing point with rear fixing option included as standard. Tested to BS476-20.
- Optional fittings include adjustable shelving, a lockable compartment, metal door pocket and a rotary or tube deposit facility.
- Dual locking available on models 1095N to 1780.
- Bespoke RAL colours available – please contact us for details.



3-Way Locking Bolts



Electronic Locking Option



EURO GRADE 1 SINGLE KEY LOCKING

Model	External Dimensions (mm)			Internal Dimensions (mm)			Approx. Weight (kg)	Volume (l)	Lever Arch Files	Shelves
	Height	Width	Depth ¹	Height	Width	Depth				
1015N ²	410	335	300	334	275	180	55	17	–	1
1025N ²	410	415	345	334	355	225	75	27	–	1
1035N ²	410	415	425	334	355	305	85	36	4	1
1055N ²	585	415	425	509	355	305	105	55	4	1
1085N	585	515	495	509	455	375	130	87	6	1
1095N	770	515	425	694	455	305	155	96	12	1
1120N	940	515	425	864	455	305	180	120	12	2
1180N	1,120	515	495	1,044	455	375	225	178	18	2
1410N	1,475	765	535	1,399	705	415	375	409	36	3
1535	1,850	840	580	1,720	730	415	495	521	45	4
1780 ³	1,850	1,190	580	1,720	1,080	415	665	771	70	4

¹ 45mm extra depth with handle and different locks. ² Locking option G available only. ³ Double doors.

*Insurance ratings may vary dependent on risk & location. Please check with your insurers.

MULTIPLE LOCKING OPTIONS AVAILABLE – SEE PAGE 5 • DEPOSIT OPTIONS AVAILABLE – SEE PAGE 26

Euro Grade 2 Single Key Lock Cash Rating £17,500

Model		Dimensions (mm)			Weight (kg)	Volume (l)	Lever Arch Files	Shelves	Price ex. VAT
		Height	Width	Depth					
2040N	ext	430	460	450 ¹	137	39	5	1	£1,505.00
	int	334	380	305					
2070N	ext	605	535	450 ¹	200	71	6	1	£1,775.00
	int	509	455	305					
2095N	ext	790	535	450 ¹	247	96	12	1	£2,250.00
	int	694	455	305					
2175N	ext	960	610	530 ¹	344	176	14	2	£3,021.00
	int	864	530	385					
2215N	ext	1,140	610	530 ¹	397	213	21	2	£3,335.00
	int	1,044	530	385					
2285N	ext	1,495	610	530 ¹	501	285	28	3	£3,760.00
	int	1,399	530	385					
2395N	ext	1,495	760	560 ¹	599	395	36	3	£4,354.00
	int	1,399	680	415					
2440N	ext	1,320	760	675 ¹	585	441	27	2	£4,441.00
	int	1,224	680	530					
2580N	ext	1,850	840	580 ¹	768	580	45	4	£5,213.00
	int	1,754	760	435					
2845N ²	ext	1,850	1,190	580 ¹	978	847	70	4	£7,994.00
	int	1,754	1,110	435					

¹ 45mm extra depth with handle and different locks • ² Double doors • Dual locking available on models 2070N to 2845 • Insurance Companies' ratings can vary with higher or lower figures applied depending upon risk, location and locking option. If it is important then please check with your insurers.

Euro Grade 3 Single Key Lock Cash Rating £35,000

3070N	ext	600	535	464 ¹	275	71	6	1	£2,378.00
	int	509	455	305					
3095N	ext	785	535	464 ¹	340	96	12	1	£2,838.00
	int	694	455	305					
3175N	ext	955	610	544 ¹	480	176	14	2	£3,758.00
	int	864	530	385					
3215N	ext	1,135	610	544 ¹	550	213	21	2	£4,102.00
	int	1,044	530	385					



EURO GRADE 3 (£35,000 cash rating)*

A safe tested to Grade 3 as well as providing a cash rating of up to £35,000 will also provide valuables cover of up to £350,000. This rule (x10) can be applied to the safes in all of the Securikey ranges.

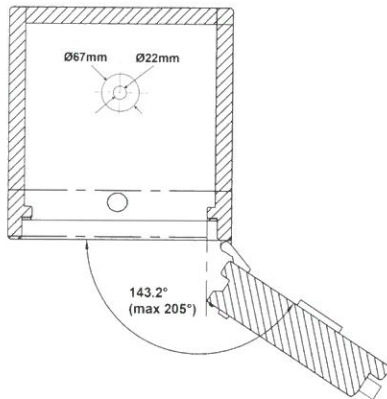
- Tested and certified according to EN 1143-1 Security Grade III.
- 3-way 40mm locking bolts, continuous hinge protection and a single high security key lock or digital keypad to EN1300.
- Fire resistant door seal and base fixing point with rear fixing option included as standard. Tested to BS476-20.
- Standard fittings include adjustable shelving and an alarm connection loop.
- Optional fittings include a lockable inner compartment, metal door pocket and a rotary or tube deposit facility.
- Dual locking available on all models.
- Bespoke RAL colours available – please contact us for details.



Lockable Compartment



Solid External Hinges & Fire Seal



EURO GRADE 3 SINGLE KEY LOCKING

Model	External Dimensions (mm)			Internal Dimensions (mm)			Approx. Weight (kg)	Volume (l)	Lever Arch Files	Shelves
	Height	Width	Depth ¹	Height	Width	Depth				
3070N	600	535	464	509	455	305	275	71	6	1
3095N	785	535	464	694	455	305	340	96	12	1
3175N	955	610	544	864	530	385	480	176	14	2
3215N	1,135	610	544	1,044	530	385	550	213	21	2
3285N	1,490	610	544	1,399	530	385	660	285	28	3
3395N	1,490	760	574	1,399	680	415	830	395	36	3
3440N	1,315	760	689	1,224	680	530	860	441	27	2
3535	1,850	840	580	1,720	730	415	990	521	45	4
3780 ²	1,850	1,190	580	1,720	1,080	415	1,305	771	70	4

¹45mm extra depth with handle and different locks. ²Double doors. • Dual locking available on all models.

*Insurance ratings may vary dependent on risk & location. Please check with your insurers.

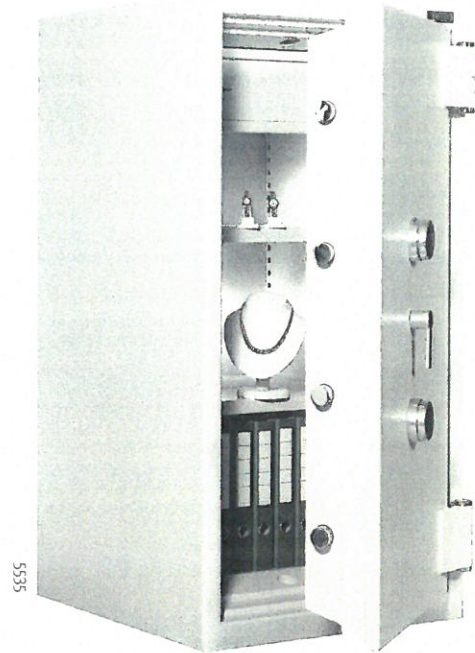
MULTIPLE LOCKING OPTIONS AVAILABLE – SEE PAGE 5 • DEPOSIT OPTIONS AVAILABLE – SEE PAGE 26



EURO GRADE 4 & EURO GRADE 5 DUAL LOCKING (£60,000, Grade 4 or £100,000, Grade 5)*

Euro Grade 4 and 5 offer the ultimate in cash and valuables protection. Typical installations include Banks, Diamond Merchants and Casinos.

- Tested and certified according to EN 1143-1 and fitted with 2 locks to EN 1300.
- Fitted with 40mm steel sliding bolts.
- Fire resistant door seal and base fixing points. Tested to BS476-20.
- Electronic locking options available.
- Standard fittings include adjustable shelving and alarm connection loop.
- Optional lockable inner compartment, metal door pocket and rotary or tube deposit facility.
- Bespoke RAL colours available – please contact us for details.



EURO GRADE 4 DUAL LOCKING (KEY/MECHANICAL COMBINATION)

Model	External Dimensions (mm)			Internal Dimensions (mm)			Approx. Weight (kg)	Volume (l)	Lever Arch Files	Shelves
	Height	Width	Depth ¹	Height	Width	Depth				
4080N	600	610	464	509	530	305	315	82	7	1
4095N	785	535	464	694	455	305	355	96	12	1
4175N	955	610	544	864	530	385	495	176	14	2
4215N	1,135	610	544	1,044	530	385	565	213	21	2
4285N	1,490	610	544	1,399	530	385	675	285	28	3
4395N	1,490	760	574	1,399	680	415	845	395	36	3
4440N	1,315	760	689	1,224	680	530	875	441	27	2
4535	1,850	840	580	1,720	730	415	1,165	521	45	4
4780 ²	1,850	1,190	580	1,720	1,080	415	1,450	771	70	4

¹ 45mm extra depth with handle and different locks. ² Double doors. • Doors open to 205° • *Insurance ratings may vary dependent on risk & location. Please check with your insurers.



EURO GRADE 5 DUAL LOCKING (KEY/MECHANICAL COMBINATION)

Model	External Dimensions (mm)			Internal Dimensions (mm)			Approx. Weight (kg)	Volume (l)	Lever Arch Files	Shelves
	Height	Width	Depth ¹	Height	Width	Depth				
5100 ³	840	620	566	680	440	320	705	96	10	1
5150 ³	1,190	620	566	1,030	440	320	935	145	15	2
5245 ³	1,380	710	621	1,220	530	375	1,280	242	21	2
5280 ⁴	1,530	710	621	1,370	530	375	1,325	272	28	3
5425 ⁴	1,530	910	661	1,370	730	415	1,570	415	36	3
5535 ⁴	1,880	910	661	1,720	730	415	1,880	521	45	4
5780 ^{2,4}	1,880	1,260	661	1,720	1,080	415	2,380	771	70	4

¹ 45mm extra depth with handle and different locks. ² Double doors. ³ Doors open to 205°. ⁴ Doors open to 170°. *Insurance ratings may vary dependent on risk & location. Please check with your insurers.

MULTIPLE LOCKING OPTIONS AVAILABLE – SEE PAGE 5 • DEPOSIT OPTIONS AVAILABLE – SEE PAGE 26

Euro Grade 3 Single Key Lock Cash Rating £35,000 (continued)

Model		Dimensions (mm)			Weight (kg)	Volume (l)	Lever Arch Files	Shelves	Price ex. VAT
		Height	Width	Depth					
3285N	ext	1,490	610	544 ¹	660	285	28	3	£4,536.00
	int	1,399	530	385					
3395N	ext	1,490	760	574 ¹	830	395	36	3	£5,362.00
	int	1,399	680	415					
3440N	ext	1,315	760	689 ¹	860	441	27	2	£5,495.00
	int	1,224	680	530					
3560N	ext	1,850	840	580 ¹	1,057	563	45	4	£6,487.00
	int	1,759	760	421					
3820N ²	ext	1,850	1,190	580 ¹	1,346	822	70	4	£8,804.00
	int	1,759	1,100	421					

¹ 45mm extra depth with handle and different locks • ² Double doors • Dual locking available on all models • Insurance Companies' ratings can vary with higher or lower figures applied depending upon risk, location and locking option. If it is important then please check with your insurers.

Euro Grade 4 Dual Locking (Key/Mechanical Combination) Cash Rating £60,000

4080N	ext	600	610	464 ¹	315	82	7	1	£3,873.00
	int	509	530	305					
4095N	ext	785	535	464 ¹	355	96	12	1	£4,080.00
	int	694	455	305					
4175N	ext	955	610	544 ¹	495	176	14	2	£5,284.00
	int	864	530	385					
4215N	ext	1,135	610	544 ¹	565	213	21	2	£5,731.00
	int	1,044	530	385					
4285N	ext	1,490	610	544 ¹	675	285	28	3	£6,863.00
	int	1,399	530	385					
4395N	ext	1,490	760	574 ¹	845	395	36	3	£7,284.00
	int	1,399	680	415					
4440N	ext	1,315	760	689 ¹	875	441	27	2	£7,653.00
	int	1,224	680	530					
4560N	ext	1,850	840	580 ¹	1,077	563	45	4	£9,500.00
	int	1,759	760	421					
4820N ²	ext	1,850	1,190	580 ¹	1,372	822	70	4	£12,164.00
	int	1,759	1,110	421					

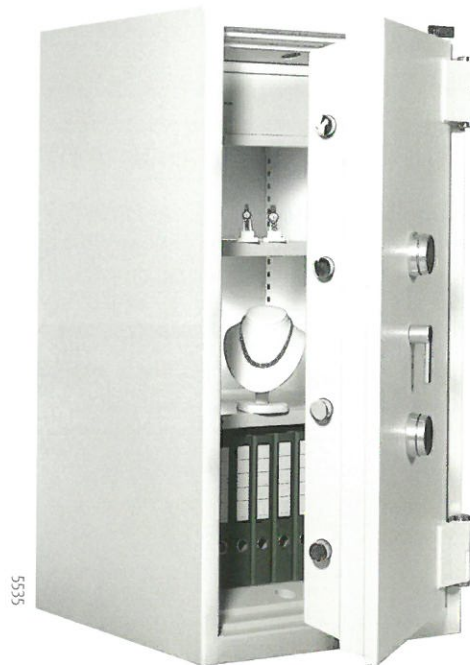
¹ 45mm extra depth with handle and different locks • ² Double doors • Insurance Companies' ratings can vary with higher or lower figures applied depending upon risk, location and locking option. If it is important then please check with your insurers.



EURO GRADE 4 & EURO GRADE 5 DUAL LOCKING (£60,000, Grade 4 or £100,000, Grade 5)*

Euro Grade 4 and 5 offer the ultimate in cash and valuables protection. Typical installations include Banks, Diamond Merchants and Casinos.

- Tested and certified according to EN 1143-1 and fitted with 2 locks to EN 1300.
- Fitted with 40mm steel sliding bolts.
- Fire resistant door seal and base fixing points. Tested to BS476-20.
- Electronic locking options available.
- Standard fittings include adjustable shelving and alarm connection loop.
- Optional lockable inner compartment, metal door pocket and rotary or tube deposit facility.
- Bespoke RAL colours available – please contact us for details.



EURO GRADE 4 DUAL LOCKING (KEY/MECHANICAL COMBINATION)

Model	External Dimensions (mm)			Internal Dimensions (mm)			Approx. Weight (kg)	Volume (l)	Lever Arch Files	Shelves
	Height	Width	Depth ¹	Height	Width	Depth				
4080N	600	610	464	509	530	305	315	82	7	1
4095N	785	535	464	694	455	305	355	96	12	1
4175N	955	610	544	864	530	385	495	176	14	2
4215N	1,135	610	544	1,044	530	385	565	213	21	2
4285N	1,490	610	544	1,399	530	385	675	285	28	3
4395N	1,490	760	574	1,399	680	415	845	395	36	3
4440N	1,315	760	689	1,224	680	530	875	441	27	2
4535	1,850	840	580	1,720	730	415	1,165	521	45	4
4780 ²	1,850	1,190	580	1,720	1,080	415	1,450	771	70	4

¹ 45mm extra depth with handle and different locks. ² Double doors • Doors open to 205° • *Insurance ratings may vary dependent on risk & location. Please check with your insurers.



EURO GRADE 5 DUAL LOCKING (KEY/MECHANICAL COMBINATION)

Model	External Dimensions (mm)			Internal Dimensions (mm)			Approx. Weight (kg)	Volume (l)	Lever Arch Files	Shelves
	Height	Width	Depth ¹	Height	Width	Depth				
5100 ³	840	620	566	680	440	320	705	96	10	1
5150 ³	1,190	620	566	1,030	440	320	935	145	15	2
5245 ³	1,380	710	621	1,220	530	375	1,280	242	21	2
5280 ⁴	1,530	710	621	1,370	530	375	1,325	272	28	3
5425 ⁴	1,530	910	661	1,370	730	415	1,570	415	36	3
5535 ⁴	1,880	910	661	1,720	730	415	1,880	521	45	4
5780 ^{2,4}	1,880	1,260	661	1,720	1,080	415	2,380	771	70	4

¹ 45mm extra depth with handle and different locks. ² Double doors. ³ Doors open to 205°. ⁴ Doors open to 170°.

*Insurance ratings may vary dependent on risk & location. Please check with your insurers.

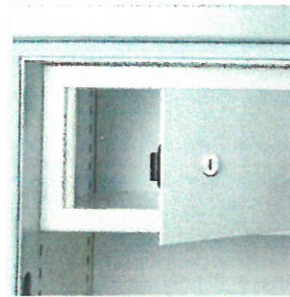
MULTIPLE LOCKING OPTIONS AVAILABLE – SEE PAGE 5 • DEPOSIT OPTIONS AVAILABLE – SEE PAGE 26



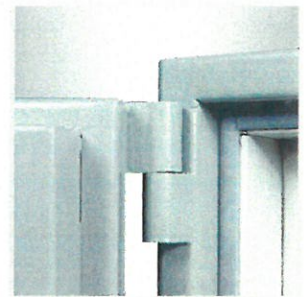
EURO GRADE 3 (£35,000 cash rating)*

A safe tested to Grade 3 as well as providing a cash rating of up to £35,000 will also provide valuables cover of up to £350,000. This rule (x10) can be applied to the safes in all of the Securikey ranges.

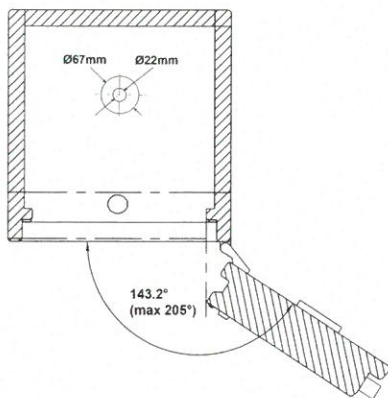
- Tested and certified according to EN 1143-1 Security Grade III.
- 3-way 40mm locking bolts, continuous hinge protection and a single high security key lock or digital keypad to EN1300.
- Fire resistant door seal and base fixing point with rear fixing option included as standard. Tested to BS476-20.
- Standard fittings include adjustable shelving and an alarm connection loop.
- Optional fittings include a lockable inner compartment, metal door pocket and a rotary or tube deposit facility.
- Dual locking available on all models.
- Bespoke RAL colours available – please contact us for details.



Lockable Compartment



Solid External Hinges & Fire Seal



A B £35,000 30mins
 750*

EURO GRADE 3 SINGLE KEY LOCKING

Model	External Dimensions (mm)			Internal Dimensions (mm)			Approx. Weight (kg)	Volume (l)	Lever Arch Files	Shelves
	Height	Width	Depth ¹	Height	Width	Depth				
3070N	600	535	464	509	455	305	275	71	6	1
3095N	785	535	464	694	455	305	340	96	12	1
3175N	955	610	544	864	530	385	480	176	14	2
3215N	1,135	610	544	1,044	530	385	550	213	21	2
3285N	1,490	610	544	1,399	530	385	660	285	28	3
3395N	1,490	760	574	1,399	680	415	830	395	36	3
3440N	1,315	760	689	1,224	680	530	860	441	27	2
3535	1,850	840	580	1,720	730	415	990	521	45	4
3780 ²	1,850	1,190	580	1,720	1,080	415	1,305	771	70	4

¹ 45mm extra depth with handle and different locks. ² Double doors. • Dual locking available on all models.
*Insurance ratings may vary dependent on risk & location. Please check with your insurers.

MULTIPLE LOCKING OPTIONS AVAILABLE – SEE PAGE 5 • DEPOSIT OPTIONS AVAILABLE – SEE PAGE 26

Euro Grade 5 Dual Locking (Key/Mechanical Combination) Cash Rating £100,000

Model		Dimensions (mm)			Weight (kg)	Volume (l)	Lever Arch Files	Shelves	Price ex. VAT
		Height	Width	Depth					
5100	ext	840	620	566 ¹	705	96	10	1	£5,185.00
	int	680	440	320					
5150	ext	1,190	620	566 ¹	935	145	15	2	£6,144.00
	int	1,030	440	320					
5245	ext	1,380	710	621 ¹	1,280	242	21	2	£7,596.00
	int	1,220	530	375					
5280	ext	1,530	710	621 ¹	1,325	272	28	3	£8,152.00
	int	1,370	530	375					
5425	ext	1,530	910	661 ¹	1,570	415	36	3	£9,299.00
	int	1,370	730	415					
5535	ext	1,880	910	661 ¹	1,880	521	45	4	£10,239.00
	int	1,720	730	415					
5780 ²	ext	1,880	1,260	661 ¹	2,380	771	70	4	£12,897.00
	int	1,720	1,080	415					

¹ 45mm extra depth with handle and different locks • ² Double doors • Insurance Companies' ratings can vary with higher or lower figures applied depending upon risk, location and locking option. If it is important then please check with your insurers.

Additional Fittings & Locking Options

Description	Model	Price ex. VAT
Shelf	015N, 025N, 035N, 040N, 055N	£34.00
	070N, 080N, 085N, 095N, 100, 120N, 150, 175N, 180N, 215N, 245, 280, 285N	£46.00
	395N, 410N, 440N, 535, 560N	£56.00
	780, 820N	£91.00
Lockable Compartment (All 180mm high)	040N, 070N, 080N, 085N, 095N, 100, 120N, 150, 175N, 180N, 215N, 245, 280, 285N, 395N, 410N, 440N	£177.00
	535, 560N	£213.00
	780, 820N	£298.00
Bespoke RAL colour		POA
Motion Activated Magnetic Light		£7.90

UNDERFLOOR & DIY SAFES

(Up to £10,000 cash rating)*

Underfloor safes are designed for installation in a concrete style floor. The level of protection provided due to the nature of the installation and location possibilities is huge. Our DIY safe range is deemed suitable for installation with little or no specialist knowledge. Advice on the installation of this product will be provided at point of purchase.

PROTECTOR RANGE:

- Available in five models with a choice of interchangeable doors covering 3 cash ratings.
- High level of security with interlocking bolts controlled by a key or keyless combination and anti-drill features.
- ABP models protect against thermal attack.

HOUSESAFE RANGE:

- Available in three models and secured with a high quality safe lock.
- Economic way of protecting cash, valuables, vital documents.

DIY RANGE:

- Secure storage for A4 papers, passports, insurance certificates or jewellery.
- Models to install under a timber floor or for surface mounting.



Strongbox Extra
Euro Profile Lock



£1,000

DIY SAFES

Model	External Dimensions (mm)			Weight (kg)
	Height	Width	Depth	
Strongbox Extra Euro Profile Lock	130	400	235	12
Cupboard Safe Euro Profile Lock	130	350	235	12
Strongbox Extra	130	400	235	12.5



£3,000

HOUSESAFE – BODY AND DOOR

Model	External Dimensions (mm)			Weight (kg)
	Height ¹	Width	Depth	
Housesafe Extra – Size 1	330	230	305	17
Housesafe Extra – Size 2	405	305	305	23
Housesafe Extra Deposit	405	305	305	24

¹ Includes neck height of 100mm. • Aperture = 166 x 166mm.

*Insurance ratings may vary dependent on risk & location. Please check with your insurers.



B



Up to
£10,000

PROTECTOR – BODIES

Model	External Dimensions (mm)			Weight (kg)
	Height ¹	Width	Depth	
Protector 1	380	360	270	14.5
Protector 2	470	360	270	16.5
Protector 3 Deposit	470	360	270	18.5
Protector 4	560	360	270	18.5
Protector 5 Deposit	560	360	270	20.5

¹ Includes neck height of 150mm. • Aperture = 227 x 180mm.

PROTECTOR – DOORS

Model	External Dimensions (mm)			Weight (kg)	Cash Rating
	Height	Width	Depth		
Protector Minor	–	247	200	7.5	£4,000
Protector	–	247	200	10.5	£6,000
Protector ABP ²	–	247	200	11	£10,000

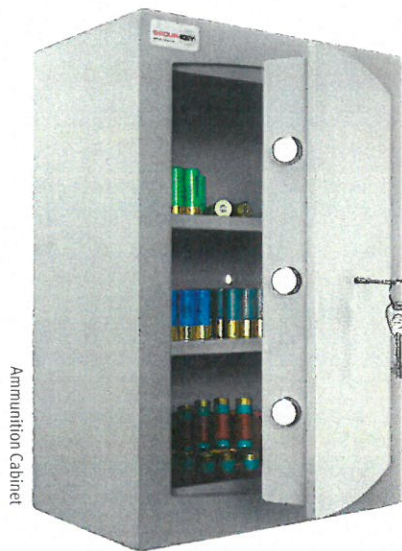
² Extra Protection against attack with Oxy-Acetylene.

ALTERNATIVE LOCKING OPTION AVAILABLE – SEE PAGE 5 • FULL RANGE OF DEPOSIT SAFES – SEE PAGE 26

GUN CABINETS

These gun and ammunition cabinets exceed the UK standard (BS 7558) for storing firearms and utilise 3-way 25mm locking bolts, secured by a single high security key lock to EN 1300. Concealed hinges and continuous hinge side protection offer superior resistance from attack.

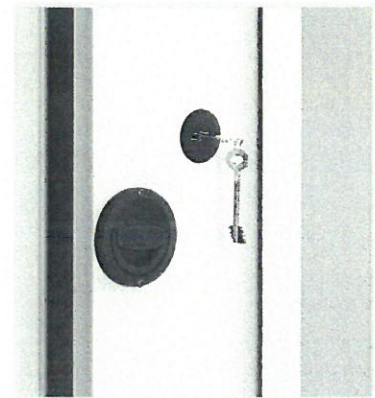
- Multi point locking with 8-lever safe lock.
- Gun cabinets are supplied with a trigger lock to prevent unauthorised use of a firearm during transportation.
- Ammunition cabinet is supplied with 2 shelves.



Fixed Shelf - Turnbull 2



Trigger Lock



High Security 8 lever safe lock

GUN CABINETS

Model	External Dimensions (mm)			Internal Dimensions (mm)			Weight (kg)	Max. Capacity (Weapons)
	Height	Width	Depth ¹	Height	Width	Depth		
Turnbull 1 ¹	1,250	300	285	1,230	290	220	63	7
Turnbull 2 ¹	1,500	380	285	1,480	370	220	84	9
Ammunition Cabinet	532	374	230	522	354	165	38	-

¹ Includes a free gun trigger lock 90D for use during transportation. • Turnbull 2 - 1260mm to underside of fixed shelf

Underfloor & DIY Safes Cash Rating £1,000 – £10,000

DIY SAFES CASH RATING £1,000

Model	External Dimensions (mm)			Weight (kg)	Price ex. VAT
	Height	Width	Depth		
Strongbox Extra Euro Profile Lock	130	400	235	12	£126.00
Cupboard Safe Euro Profile Lock	130	350	235	12	£126.00
Strongbox Extra	130	400	235	12.5	£126.00

Insurance Companies' ratings can vary with higher or lower figures applied depending upon risk, location and locking option. If it is important then please check with your insurers.

HOUSESAFE – BODY & DOOR – CASH RATING £3,000

Housesafe Extra – Size 1	345 ¹	230	230	17	£296.00
Housesafe Extra – Size 2	415 ¹	305	305	23	£349.00
Housesafe Extra Deposit	415 ¹	305	305	24	£423.00

¹ Includes neck height of 100mm • Aperture = 166 x 166mm • Insurance companies' ratings can vary with higher or lower figures applied depending upon risk, location and locking option. If it is important then please check with your insurers.

PROTECTOR – BODIES

Protector 1	380 ¹	360	270	14.5	£234.00
Protector 2	470 ¹	360	270	16.5	£246.00
Protector 3 Deposit	470 ¹	360	270	18.5	£331.00
Protector 4	560 ¹	360	270	18.5	£298.00
Protector 5 Deposit	560 ¹	360	270	20.5	£389.00

PROTECTOR – DOORS

Protector Minor	–	247	200	7.5	£340.00
Protector	–	247	200	10.5	£478.00
Protector ABP ²	–	247	200	11	£611.00

¹ Includes neck height of 150mm • Aperture = 227 x 180mm • ² Extra Protection against attack with Oxy-Acetylene.

SAFEGUARD – BODIES

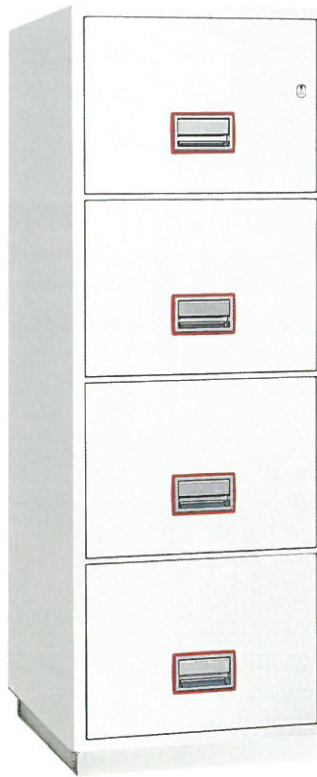
Safeguard 2	355 ¹	245	245	13	£204.00
Safeguard 3	425 ¹	315	315	19	£250.00
Safeguard 4 Deposit	425 ¹	315	315	20	£307.00

SAFEGUARD – DOORS

	External Dimensions (mm)			Price ex. VAT
	Diameter	Thickness	Weight (kg)	
Safeguard	175	13	5	£275.00
Safeguard Plus	175	25	7	£365.00

¹ Includes neck height of 100mm

Master Lock® Fireproof Chests & Fire Resistant Filing Cabinets



4-Drawer Filing Cabinet



LFHW40102



Fire Chest Small

FIRE RESISTANT FILING CABINETS:

- Designed for the safekeeping of paper files.
- Adjustable hanging rails accept all file sizes.
- Independently tested and certified.
- Drawers are mounted on a rugged suspension system.
- Flush handles to prevent injury.

FIREPROOF CHESTS:

- Key lock prevents lid from opening in the event of fire.
- Features a carrying handle making it easy to transport valuable documents.



Filing Cabinets

Model	External Dimensions (mm)			Weight (kg)
	Height	Width	Depth ¹	
4-Drawer Filing Cabinet	1,406	528	675	266



Master Lock® Fireproof Chests

Model	Product Codes	External Dimensions (mm)			Internal Dimensions (mm)			Weight (kg)	Capacity (l)	Fire Test
		Height	Width	Depth	Height	Width	Depth			
Fire Chest Small	L1200	155	362	284	89	305	191	6	5	30mins
Fire Chest Medium ¹	LCHW20101	168	391	363	112	325	216	9.3	8	30mins
Fire Chest Large ¹	LCFW30100	193	419	375	136	321	232	14	10	60mins
Fire Chest X Large ¹	LFHW40102	359	421	351	295	305	206	18.6	19	30mins

¹ Water Resistant Construction



Fire Stor

(£2,000 cash rating)*

Our range of secure fire and burglary resistant storage cabinets are an affordable solution for the safekeeping of both valuables and documents. The cabinets are double-walled with a fire resistant barrier material to DIN 4102. The inclusion of this second level of protection gives these cabinets their fire resistance. In addition, they have undergone a burglary test and so are well suited to the storage of valuables up to the value of £20,000.

- Tested and certified to EN 14450 – S1.
- Double walled construction with fire resistant filling to DIN 4102.
- Each model is fitted as standard with five heavy-duty locking bolts secured on three sides and a VdS approved safe lock.
- Additional options include an internal lockable compartment (180mm high on single door version, 300mm high on the double door version), pull-out frames for drop files and additional shelves.
- **Multiple locking options (see page 5)**



Fire Stor Range



1021



Fire Stor

Model	External Dimensions (mm)			Internal Dimensions (mm)			Weight (kg)	Capacity (l)	Lever Arch Files ¹	Shelves
	Height	Width	Depth	Height	Width	Depth				
1023	860	600	520	690	490	405	95	137	12	1
1022	1,220	600	520	1,050	490	405	120	208	18	2
1021	1,580	600	520	1,410	490	405	145	280	24	3
1020	1,950	930	520	1,780	820	405	215	591	50	4
1024	1,950	1200	520	1,780	1,090	405	245	786	65	4

¹ Suggested capacities for Lever Arch files – 80mm width • *Insurance ratings may vary dependent on risk & location. Please check with your insurers.

Master Lock® Fireproof Chests

Model		Dimensions (mm)			Weight (kg)	Volume (l)	Shelves	Price ex. VAT
		Height	Width	Depth				
L1200	ext	155	362	284	6	5.2	-	£40.00
	int	89	305	191				
LCHW20101	ext	168	391	363	9.3	7.9	-	£77.00
	int	112	325	216				
LCFW30100	ext	193	419	375	14.1	10.1	-	£101.00
	int	136	321	232				
CHW30300	ext	193	419	375	10.9	10.1	-	£136.00
	int	136	321	232				
FHW40300	ext	359	421	351	19.5	18.5	-	£169.00
	int	295	305	206				

Master Lock® Fireproof Safes

LFW082FTC	ext	348	415	491	35.7	22.7	1	£293.00
	int	244	319	292				
LFW123FTC	ext	453	415	491	38.9	33.6	1	£350.00
	int	349	319	302				
LFW205FYC	ext	603	472	491	56.6	56.5	1	£486.00
	int	498	376	302				
LFW205TWC	ext	603	472	491	56.6	56.5	1	£606.00
	int	498	376	302				
LTW123GTC	ext	453	415	491	58.2	33.6	1	£421.00
	int	349	319	302				
LTW205GYC	ext	603	472	491	79.3	56.5	1	£581.00
	int	498	376	302				

Fire Resistant Filing Cabinets

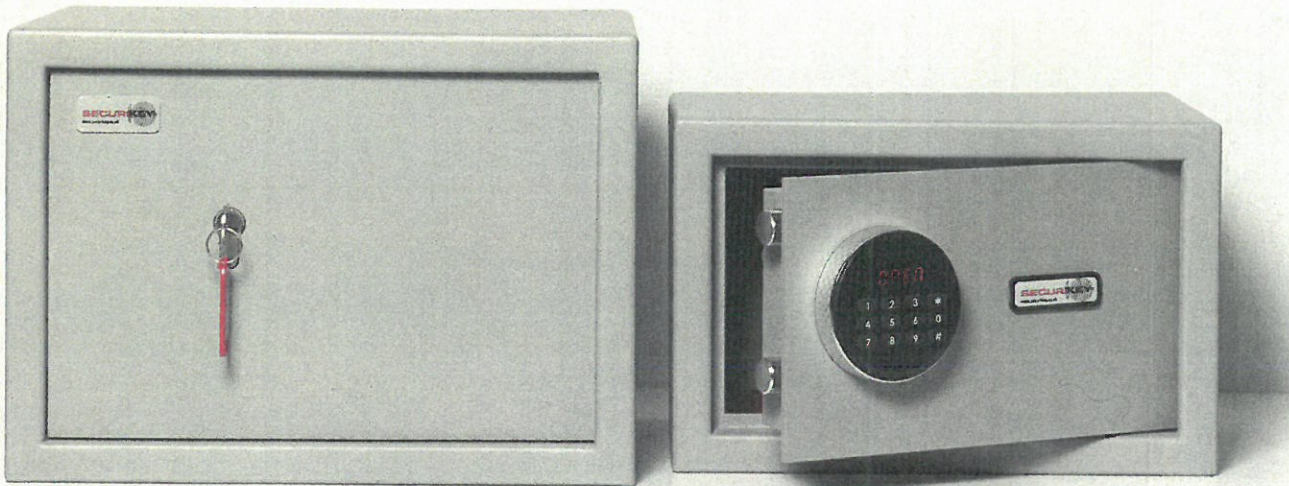
Model	External Dimensions (mm)			Weight (kg)	Price ex. VAT
	Height	Width	Depth		
4 – Drawer Filing Cabinet	1,406	528	675	266	£1,612.00

MICRO VAULT



Micro Vault

Model	External Dimensions (mm)			Internal Dimensions (mm)			Weight (kg)	Volume (l)	RETAIL PRICE
	Height	Width	Depth	Height	Width	Depth			
Micro Vault 1 Electronic	200	310	200	195	305	139	6.9	8	£79
Micro Vault 2 Electronic	250	350	250	245	345	189	10.1	16	£99
Micro Vault 2 Key	250	350	250	245	345	189	10.1	16	£89



securikey.co.uk

Document Security

Model	External Dimensions (mm)			Weight (kg)	Price ex. VAT
	Height	Width	Depth		
Deed Box 0	110	360	330	4	£80.00

Personal Security

FAKE BANK NOTE DETECTOR PEN

Model	Description	Price ex. VAT
PABN-5PK	5 pens - Bagged	£20.50
PABNB+UV	Single pen with UV light - Blister packed	£6.90

PERSONAL ATTACK ALARMS

PAGASG800	Personal alarm – Gas	£13.60
PASCT	Battery powered alarm with clip, pull pin and torch	£17.60
PACA/SA	Charm alarm	£6.30
PAECABLK	Elite cordless alarm – Black	£11.80
PAKRT	Battery powered alarm with key ring, pull pin & torch	£14.40
PASAYEL	Active alarm with pull pin – Yellow Sponge	£9.90

PROPERTY MARKING

PAPMP	UV pen	£2.20
-------	--------	-------

DECOY CAMERA

PVSC1000	External	£48.00
PVSCIDC	Internal	£31.60

PERSONAL METAL DETECTOR

PMD3003B	Metal detector	£76.50
----------	----------------	--------

PROPERTY SECURITY

PSBOOK	Decoy safe – book	£13.00
PSCAN	Safe can (single) various labels	£6.90
PSCANDLE	Decoy safe – candle	£13.00
PSCANDEICER	Safe can – de-icer	£8.00
PAWWSG600	Wireless mini alarm	£8.30

MASTER LOCK® COMPACT SAFES		Dimensions (mm)			Weight (kg)	Volume (l)	Shelves	Price ex. VAT
		Height	Width	Depth				
P008EML	ext	74	254	201	1.5	2.2	–	£39.00
	int	48	249	180				

Additional Fittings & Locking Options

Locking Options – In lieu of Key Lock	Grade 0, 1, 2	Grade 3	Grade 4, 5
3-Wheel Mechanical Combination ¹	£127.00	£127.00	–
4-Wheel Mechanical Combination ¹	£173.00	£173.00	–
Electronic Combination Lock – Wittkopp Primor 2000 ¹ 015N, 025N, 035N, 040N & 055N	£245.00	–	–
Electronic Combination Lock – Safe Logic Model 070 Upwards	£245.00	–	–
Electronic Combination Lock – REVO A Model 070 Upwards ¹	£245.00	–	–
Electronic Combination Lock – REVO B Model 070 Upwards ¹	£531.00	£531.00	–
Electronic Combination Lock – REVO B Fingerprint Model 070 Upwards ¹	£604.00	£604.00	–
Electronic Combination Lock – REVO BR (Redundancy Feature) ²	–	£643.00	£643.00
Electronic Combination Lock – La Gard 39E ¹ Model 085 Upwards (In Lieu of Combination Lock Euro Grade 4 & 5)	£311.00	£311.00	£311.00
Electronic Combination Lock – La Gard 66E ¹ – Model 085 Upwards (In Lieu of Combination Lock Euro Grade 4 & 5)	£384.00	£384.00	£384.00
Electronic Combination Lock – KABA Axessor1 Model 085 Upwards (In Lieu of Combination Lock Euro Grade 4 & 5)	£635.00	£635.00	£635.00

¹ In lieu of Key Lock • ² In lieu of Combination Lock.

Description	Price ex. VAT
Secondary Lock Fitting Charge	£41.00 Net