

COBRA SECURITY SYSTEMS LTD



BURGLAR ALARMS • VEHICLE ALARMS • DOOR ENTRY SYSTEMS
 DOOR & WINDOW LOCKS • INTERCOMS • CCTV • SAFES
 FIRE EXTINGUISHERS, ALARMS AND BLANKETS • INSTALLED OR D.I.Y.

155 STATION ROAD, CHINGFORD, LONDON E4 6AG

Telephone: 020 8529 5710 • 020 8529 0179 • Tel & Fax 020 8529 9901

www.cobra-ss.co.uk



DOMESTIC CCTV SYSTEMS SUPPLIED AND FITTED CONNECTION TO CUSTOMERS OWN TV HIGH RESOLUTION



VEROX technologies **HD** cameras with **fixed LENS (3 Year Warranty)**
 (Using **SHOTGUN** cable if **CATT 5** required add £20.00 each camera)
(All parts come with a 36 Month Warranty)

1 to 4 CAMERAS

VEROX RB1004 FOUR channel DVR with **1TB** hard drive Multiplex recording.
 Has **VGA + BNC + HDMI** output + Remote Viewing to I Phone or PC
 (Additional charges may apply), **USB** back up.

FIXED LENSE CAMERAS (Available in **White** or **Black** finish)

RV612UNI HD DOME Camera **2 megapixel** with **3.6mm FIXED lens** and **15M IR**

1 to 4 CAMERAS

	1 Camera	2 Cameras	3 Cameras	4 Cameras
Resolution 1080p 2MP	£480.00	£650.00	£820.00	£990.00

5 to 8 CAMERAS

	5 Cameras	6 Cameras	7 Cameras	8 Cameras
Resolution 1080p 2MP	£1290.00	£1460.00	£1630.00	£1800.00

5 to 8 CAMERAS EIGHT channel DVR with **2TB** hard drive.

If **VARI FOCAL CAMERAS** required add **£20.00** for each camera

All Prices shown include Vat at 20%



VEROX

RV612UNI

TVI/AHD/CVI/ANALOGUE, Vandal-proof Eyeball Camera

MAIN FEATURES

- TVI/AHD/CVI/Analogue/ 4 in 1 camera
- 18pcs IR Leds , 20M IR distance
- 3.6mm lens
- Minimum Illumination: 0.01Lux
- HD 1080P, Analogue 960H.AGC, AWB, BLC
- Mechanic True Day & Night
- Transmitting over 300m Coaxial cable
- OSD Cable/UTC Control Optional



RV612UNI/B



RV612UNI/W



MODEL	RV612UNI
Image Sensor	1/2.7" Suprax/Cmos Senso
Effective Pixels	1936(H)x1096(V)
Resolution	2.0Megapixel 1080P
Video Frame Rate	PAL: 25fps/1080P NTSC: 30fps/1080P
Electronic Shutter	Auto: PAL 1/50-1/100, 000Sec;NTSC 1/60-1/100, 000Sec
Mini. Illumination	0.5Lux of F1.2(color) 0.01Lux of F1.2(B/W) 0Lux when IR On
Video Output	1-channel BNC HDAHD high definition video output
Max. IR LEDs Length	20m, Smart IR
IR LEDs	18ps IR LEDS
Day/Night	Auto/External/color/mono, with IR cut filter
S/N ratio	>50dB
Noise Reduction	2D/3D DNR
Lens	3.6MM
General	
Transmission Distance	Over 300m via 75-3 coaxial cable
Power Supply	DC12V±10%
Ingress Protection	IP66
Power Consumption	Max 4W
Working Environment	'-10°C~+60°C / Less than 95%RH
Dimension(LxWxH)	Φ94x69(H)mm
Weight	335gkg
Package	30 pcs /Carton, 59x36x20cm, 13kg

VEROX

RV1004

HYBRID 4CH 1080P HI-DEF TVI/AHD, ANALOGUE, IP - DVR

MAIN FEATURES

- 4 Channel universal
- DVR with H.264 codec
- TVI & AHD Inputs; 1080P @ 30/25 fps, 720P @ 60/50 fps
- Support IP up to 5 MP
- Analogue Supported, max 120/100 fps
- Multiple input: mix signal on same screen
- Standalone Linux embedded system
- Web-based management
- P2P remote access supported no port forwarding
- Support IOS, Android and Windows 7.8
- Support up to 1 SATA devices, USB 2.0 X 2, RJ45
- Support display output 1 HDMI with Audio and 1 VGA (Max. 1920 X 1080), 1 Main BNC (CVBS)
- **All DVRs Support 4 Audio Input**



x1HDD
up to 4TB

P2P

WD Purple



The **VEROX App** is a new generation application of VEROX DVR/IVR users, which brings up more convenient features, to name a few



Available on the
App Store

GET IT ON
Google play

Enhance connection time
faster, swifter and easier to connect!

Slide to switch between channels
(IOS only) Need to watch different channels quickly? just Slide!

Pinch-to-zoom in live and playback modes
With 2-finger pinch & zoom gesture to zoom in & out. Available in both live and playback modes!

Features of VEROX:

- Up to 16CH split display
- Up to 16CH remote playback (time search, log/event search)
- Multi-language supported
- Alarm out (relay) control in live mode
- Support camera PTZ control
- Support Audio
- P2P just scan QR code

P2P CONNECTION SOLUTION

No fixed IP Address Required

24-Hour monitoring by smart phones and tablets over the internet via QR code. P2P Setup is easy as 123!

Just scan QR code with VEROX on DVR/IVR interface and start to use.

No Port forwarding, no DDNS, no hassle settings!



COBRA SECURITY SYSTEMS LTD

BURGLAR ALARMS • VEHICLE ALARMS • DOOR ENTRY SYSTEMS
 DOOR & WINDOW LOCKS • INTERCOMS • CCTV • SAFES
 FIRE EXTINGUISHERS, ALARMS AND BLANKETS • INSTALLED OR D.I.Y.



155 STATION ROAD, CHINGFORD, LONDON E4 6AG

Telephone: 020 8529 5710 • 020 8529 0179 • Tel & Fax 020 8529 9901

www.cobra-ss.co.uk



DOMESTIC CCTV SYSTEMS SUPPLIED AND FITTED
CONNECTED TO CUSTOMERS OWN MONITOR
 (All parts come with a 36 Month Warranty)



VIDEOTECKNIKA 1080P 5MP HD SYSTEMS FIXED LENS
 (Shotgun cable)

VT604 HD 4 channel recorder 1080P **FULL HD** recording, **2TB** hard drive, Multiplex recording. Has VGA + BNC + HDMI output + Remote Viewing to I Phone or PC, (Additional charges may apply), USB back up.

VT 988 White DOME CAMERA
 1080P Full HD **5 MP** Camera's with **2.8mm FIXED** lens with **20M IR**

	1 TO 4 CAMERAS			
	1	2	3	4
Resolution	Camera	Cameras	Cameras	Cameras
1080p 5 MP	£625.00	£825.00	£1000.00	£1195.00

	5 TO 8 CAMERAS			
	5	6	7	8
Resolution	Cameras	Cameras	Cameras	Cameras
1080p 5 MP	£1550.00	£1750.00	£1950.00	£2150.00

VT608 EIGHT channel recorder 1080P **full HD** recording, **4TB** hard drive.

All Prices shown **include** Vat at 20%

If **VT 988 VFM** camera with **2.8-12mm** vari focal lens and 40m IR required add **£75.00** each camera



VT988/2.8

5 MP HD EXIR Turret Camera

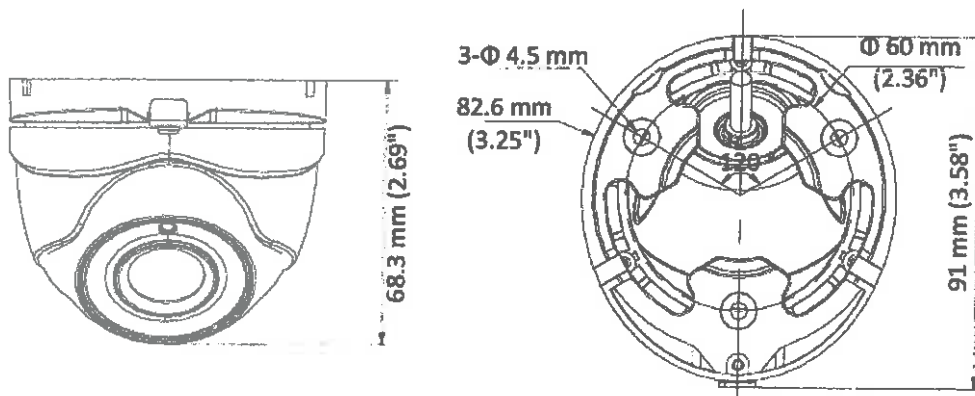
XX VIDEOTEKNIKA



Key Features

- 5 Megapixel high-performance CMOS
- Analog HD output, up to 5MP resolution
- 2.8 mm Fixed Lens
- True Day/Night
- OSD menu, DNR, Smart IR
- EXIR technology, up to 20m IR distance
- IP67 weatherproof

Dimensions



VT988/VFM

5 MP HD Motorized VF EXIR Turret Camera

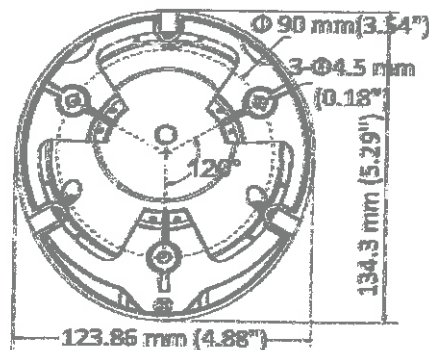
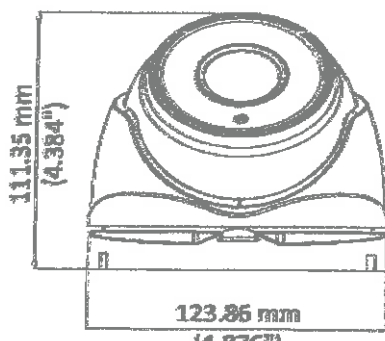
XX VIDEOTEKNIKA



Key Features

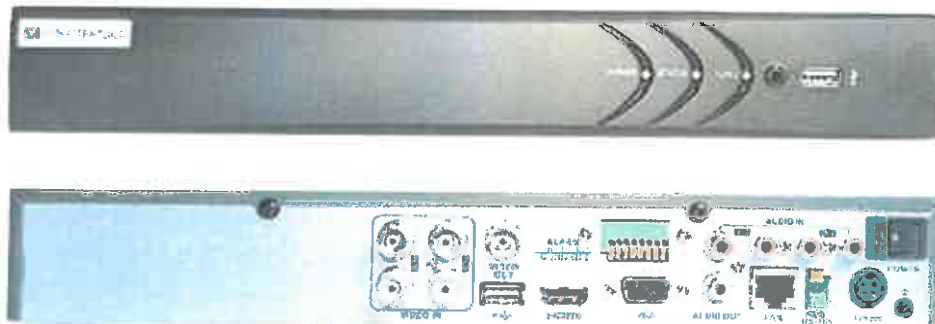
- 5.0 MP High performance CMOS
- HD 1080P
- Analog HD output, up to 5MP
- 2.8 12mm Motorized vari focal lens
- 40m Smart IR, EXIR Technology
- AGC, AWB, BLC, DNR
- 12v DC, 300 mA
- IP67

Dimensions



VT604TVI

Turbo HD DVR



Features and Functions

Video Input and Transmission

- Self adaptive HDTV/HDCVI/AHD/CVBS signal input
- Up to 4 ch 5 MP IP cameras input
- 5 MP/4 MP HDTV video input and live view
- Defogging function enabled for the supported analog cameras
- Long distance transmission over UTP and coaxial cable: max. 800m for 1080p and 1200m for 720p HDTV signal

Compression and Recording

- H.265+/H.265/H.264+/H.264 encoding for the main stream, and H.265/H.264 for the sub stream of analog cameras
- Connectable to H.265+/H.265/H.264+/H.264 IP cameras
- H.265+ can be enabled to improve encoding efficiency and reduce data storage costs
- Full channel recording at up to 5 MP resolution

Video Output

- Simultaneous HDMI/VGA output
- HDMI output at up to 4K (3840 x 2160) resolution
- Separate CVBS output

Smart Function

- Supports multiple VCA (Video Content Analytics) events for both analog and smart IP cameras
- Supports line crossing detection and intrusion detection of all channels, and 2 ch sudden scene change detection
- VCA information overlay in live view and smart playback
- VQD (Video Quality Diagnostics)
- Supports PTZ control via Omnicast VMS of Genetec protocol

Network & Ethernet Access

- Connect & DDNS (Dynamic Domain Name System) for easy network management
- 1 RJ45 10M/100M self adaptive Ethernet interface for VT604 and 1 RJ45 10M/100M/1000M self adaptive Ethernet interface for VT608
- Output bandwidth limit configurable

Storage and Playback

- 1 SATA interface (up to 6 TB capacity per HDD)
- 4/8 ch synchronous playback
- Smart search for efficient playback
- Supports the 3rd party cloud storage (Dropbox/Google Drive/Microsoft OneDrive)

COBRA SECURITY SYSTEMS LTD

BURGLAR ALARMS • VEHICLE ALARMS • DOOR ENTRY SYSTEMS

DOOR & WINDOW LOCKS • INTERCOMS • CCTV • SAFES

FIRE EXTINGUISHERS, ALARMS AND BLANKETS • INSTALLED OR D.I.Y.



155 STATION ROAD, CHINGFORD, LONDON E4 6AG

Telephone: 020 8529 5710 • 020 8529 0179 • Tel & Fax 020 8529 9901

www.cobra-ss.co.uk



DOMESTIC CCTV SYSTEMS SUPPLIED AND FITTED CONNECTED TO CUSTOMERS OWN MONITOR

(All parts come with a 36 Month Warranty)



VIDEOTEKNIKA 1080P 2MP IP SYSTEMS FIXED LENS

(CATT 5 Cable only)

VN1004-P 4 channel recorder 1080P **FULL HD** recording, 2TB hard drive, Multiplex recording. Has VGA + BNC + HDMI output + Remote Viewing to I Phone or PC, (Additional charges may apply), USB back up.

VD 6454 Black or White **IP DOME CAMERA**

1080P Full HD 2 MP Camera's with 2.8mm **FIXED** lens with 30M IR

	1 TO 4 CAMERAS			
	1	2	3	4
Resolution	Camera	Cameras	Cameras	Cameras
1080P 2 MP	£660.00	£880.00	£1100.00	£1320.00

	5 TO 8 CAMERAS			
	5	6	7	8
Resolution	Cameras	Cameras	Cameras	Cameras
1080P 2 MP	£1760.00	£1980.00	£2200.00	£2420.00

VN 2008-P EIGHT channel recorder 1080P **full HD** recording, 4TB hard drive.

All Prices shown **include** Vat at 20%

If **VD 6457** 2.8-12mm vari focal camera required add **£75.00** to each camera



IP Video Surveillance

VD6454 Dome Camera

2MP Full HD 1080p



Overview

VIDEOTEKNIKA VD6454 is a compact, stylish and high impact vandal resistant fixed dome camera designed for indoor applications with a 2 Megapixel sensor enabling a viewing resolution of 1920 x 1080 (Full HD 1080p Real Time). The multitasking day & night camera provides unlevelled cost effective performance making the product a market leader in its segment. The camera allows versatile indoor use through its True Day & Night feature and its vandal resistance. The VD6454 camera incorporates a 1/3" CMOS chip with progressive scan technology enabling sharp images in highly populated locations. The VD6454 also supports POE.

Supported Compression

The VD6454 supports MJPEG compression technology, a digital video encoding standard where each video frame is separately compressed into a JPEG image. The VD6454 also supports the industry standard H.264 compression, the most recent compression technology that reduces drastically video file sizes therefore allowing for better storage and lowers bandwidth demands.

Dual Streaming

The VD6454 allows for dual independent streaming images to pass through the video coder. The resolution, frame rate and bit rate can be set independently on both streams. The main application for dual streams allows for high resolution and high frame rate streaming for recording while allowing lower resolution and frame rate for computer browsing and mobile device applications.

Supported Software

The Camera is supported by the Videoteknika VVMS-*Xpert*™ VMS. The VVMS-*Xpert*™ VMS is a modular Video Management Software dedicated for Videoteknika IP cameras expandable up to 1024 Channels per server. A 64 Ch version VVMS-*Advanced*™ is supplied as a free bundled software with all Videoteknika IP Cameras. VVMS-*Mobile*™ is also available on Iphone and Android applications. Videoteknika IP cameras are supported by various leading software development VMS partners.

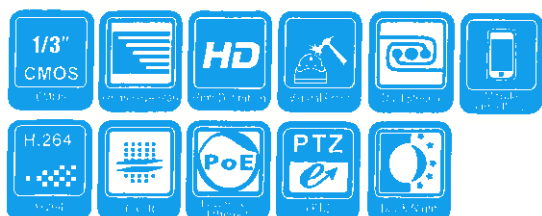
Main Features

- Full HD (1080p) Real time video
- Up to 2 Megapixel (1920 x 1080) Resolution
- 1/3" progressive scan CMOS
- IP66 & IK10 rated for Outdoor use
- Built-in IR Illuminator, Effective 30 metres
- True Day & Night IR Cut Mechanical Filter (auto-switch)
- 3D DNR (Digital Noise Reduction) , D-WDR and BLC
- Fixed Lens : 2.8mm @ F2.0, Angle of View : 98° (Optional 4mm)
- Dual Simultaneous Streaming
- Supported Video Compressions : MJPEG / H.264
- Protective Vandal Resistant Housing
- Power Over Ethernet (POE)
- Supports ePTZ for data efficiency
- NAS – Network Storage Compatible
- ONVIF,PSIA,CGI compatible
- Videoteknika – VVMS-*Advanced*™ VMS software included
- Videoteknika – VVMS-*Mobile*™ supported on App Store

VD6454

IP 2MP Dome

Full HD 1080p



VIDEOTEKNIKA SRL – SANSEPOLCRO (AR) VIA DEL PETRETO 4 CAP 52037

Videoteknika SRL (Perugia) Registered in Chambers of Commerce, Arezzo, Italy, Registration No. 21761

Website: www.videoteknika.com

Email: sales@videoteknika.com

IP Video Surveillance

VD6457 Dome Camera

2MP Full HD 1080p



Overview

VIDEOTEKNIKA VD6457 is a compact, stylish and high impact vandal resistant varifocal dome camera designed for indoor applications with a 2 Megapixel sensor enabling a viewing resolution of 1920 x 1080 (Full HD 1080p Real Time). The multitasking day & night camera provides unlevelled cost effective performance making the product a market leader in its segment. The camera allows versatile indoor use through its True Day & Night feature and its vandal resistance. The VD6457 camera incorporates a 1/3" CMOS chip with progressive scan technology enabling sharp images in highly populated locations. The VD6457 also supports POE.

Supported Compression

The VD6457 supports MJPEG compression technology, a digital video encoding standard where each video frame is separately compressed into a JPEG image. The VD6457 also supports the industry standard H.264 compression, the most recent compression technology that reduces drastically video file sizes therefore allowing for better storage and lowers bandwidth demands.

Dual Streaming

The VD6457 allows for dual independent streaming images to pass through the video coder. The resolution, frame rate and bit rate can be set independently on both streams. The main application for dual streams allows for high resolution and high frame rate streaming for recording while allowing lower resolution and frame rate for computer browsing and mobile device applications.

Supported Software

The Camera is supported by the Videoteknika VVMS-*Xpert*™ VMS. The VVMS-*Xpert*™ VMS is a modular Video Management Software dedicated for Videoteknika IP cameras expandable up to 1024 Channels per server. A 64 Ch version VVMS-*Advanced*™ is supplied as a free bundled software with all Videoteknika IP Cameras. VVMS-*Mobile*™ is also available on Iphone and Android applications. Videoteknika IP cameras are supported by various leading software development VMS partners.

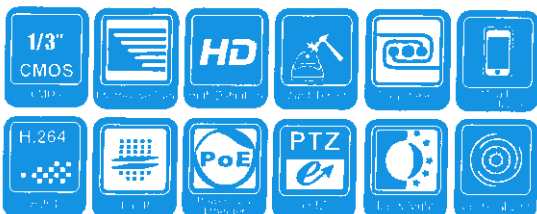
Main Features

- Full HD (1080p) Real time video
- Up to 2 Megapixel (1920 x 1080) Resolution
- 1/3" progressive scan CMOS
- IP66 & IK10 rated for Outdoor use
- Built-in IR Illuminator, Effective 30 metres
- True Day & Night IR Cut Mechanical Filter (auto-switch)
- Varifocal Lens 2.8 ~ 12mm
- Dual Simultaneous Streaming
- Supported Video Compressions : MJPEG / H.264
- Protective Vandal Resistant Housing
- Power Over Ethernet (POE)
- Supports ePTZ for data efficiency
- NAS - Network Storage Compatible
- ONVIF,PSIA,CGI compatible
- Videoteknika - VVMS-*Advanced*™ VMS software included
- Videoteknika - VVMS-*Mobile*™ supported on App Store

VD6457

IP 2MP Dome

Full HD 1080p



IP Video Surveillance

VN1004-4P

Network Video Recorder



Overview

VIDEOTEKNIKA 1000 Series is a reliable range of Network Video Recorders with Full HD 1080p local display capability and recording benchmark of up to 5 Megapixel. The VN1004-4P ensures unrivaled video recording quality in multiple applications on an open platform in live and also in playback. The VN1004-4P has a standard availability of 1 Hard Disk bays allowing recording capacity of up to 6TB. Backup facility is available via the network ports through the VVMS and allows for local backups via USB. This NVR comes with 4 independent PoE network interfaces.

Supported Cameras

The VN1004-4P supports all Videoteknika IP Cameras and is fully compatible with our Videoteknika's VVMS Software. The VN1004-4P functions on an open platform policy allowing for various 3rd party IP camera integration. Within the Videoteknika range various video encoders and video decoders are available to further more expand the flexibility for the system integrator and ensure total system synchronization. Each channel on-board the NVR allows for dual streaming with the mainstream supporting up to 5MP of recording resolution.

Storage Features

The VN1004-4P allows for individual channel recording allocation ensuring the right data capacity is assigned through the relative camera depending on its streaming resolution. Instant playback is also possible via the Videoteknika reverse instant playback capability which is unique to Videoteknika NVRs. Digital zooming while live or playback is standard with any high resolution recording camera.

Supported Software

The NVR is supported by the Videoteknika VVMS-*Xpert*™ VMS. The VVMS-*Xpert*™ VMS is a modular Video Management Software dedicated for Videoteknika IP cameras expandable up to 1024 Channels per server. A 64 Ch version VVMS-*Advanced*™ is supplied as a free bundled software with all Videoteknika IP Cameras. VVMS-*Mobile*™ is also available on Iphone and Android applications. Videoteknika IP cameras are supported by various leading software development VMS partners.

Main Features

- 4 CH Built-in POE
- Recording Quality up to 5MP
- 40Mbps Incoming Bandwidth /
- 80 Mbps Outgoing
- 2-Way Audio
- USB 2.0 X 2
- VCA Video Content Analytics
- Simultaneous HDMI & VGA outputs
- Self Adaptive 10m/100m network interface
- P2P remote access supported Push Notifications
- Up to 6TB (single SATA port)
- Videoteknika – VVMS-*Advanced*™ VMS software included
- Videoteknika – VVMS-*Mobile*™ supported on App Store

COBRA SECURITY SYSTEMS LTD



BURGLAR ALARMS • VEHICLE ALARMS • DOOR ENTRY SYSTEMS
DOOR & WINDOW LOCKS • INTERCOMS • CCTV • SAFES
FIRE EXTINGUISHERS, ALARMS AND BLANKETS • INSTALLED OR D.I.Y.

155 STATION ROAD, CHINGFORD, LONDON E4 6AG

Telephone: 020 8529 5710 • 020 8529 0179 • Tel & Fax 020 8529 9901

www.cobra-ss.co.uk



DOMESTIC CCTV SYSTEMS SUPPLIED AND FITTED CONNECTED TO CUSTOMERS OWN MONITOR (All parts come with a 36 Month Warranty)



VIDEOTEKNIKA 1080P 4MP IP SYSTEMS FIXED LENS (If IP CATT 5 Cable only)

VN 1004-P 4 channel recorder 1080P **FULL HD** recording, **2TB** hard drive, Multiplex recording. Has VGA + BNC + HDMI output + Remote Viewing to I Phone or PC, (Additional charges may apply), USB back up.

VD 7674 White or Black **IP DOME CAMERA**
1080P Full HD **4 MP** Camera's with **2.8mm FIXED** lens with **30M IR**

	1 TO 4 CAMERAS			
	1	2	3	4
Resolution	Camera	Cameras	Cameras	Cameras
1080P 4 MP	£725.00	£975.00	£1225.00	£1475.00

	5 TO 8 CAMERAS			
	5	6	7	8
Resolution	Cameras	Cameras	Cameras	Cameras
1080P 4 MP	£1945.00	£2195.00	£2445.00	£2695.00

VN 2008-P EIGHT channel recorder 1080P **full HD** recording, **4TB** hard drive.

All Prices shown **include** Vat at 20%

If **VD 7677A 2.8-12mm** vari focal camera required add **£120.00** each camera



IP Video Surveillance

VD7674(WDR) Dome Camera

4MP Full HD 1080p



Overview

VIDEOTEKNIKA VD7674 is a compact, stylish and high impact vandal resistant fixed dome camera with WDR designed for indoor / outdoor applications with a 4 Megapixel sensor enabling a viewing resolution of 2688 x 1520 (Full HD 1080p Real Time). The multitasking day & night camera provides unlevelled cost effective performance making the product a market leader in its segment. The camera allows versatile indoor use through its True Day & Night feature and its vandal resistance. The VD7674 camera incorporates a 1/3" CMOS chip with progressive scan technology enabling sharp images in highly populated locations. The VD7674 also supports POE.

Supported Compression

The VD7674 supports MJPEG compression technology, a digital video encoding standard where each video frame is separately compressed into a JPEG image. The VD7674 also supports the industry standard H.264+ compression, the most recent compression technology that reduces drastically video file sizes therefore allowing for better storage and lowers bandwidth demands.

Dual Streaming

The VD7674 allows for dual independent streaming images to pass through the video coder. The resolution, frame rate and bit rate can be set independently on both streams. The main application for dual streams allows for high resolution and high frame rate streaming for recording while allowing lower resolution and frame rate for computer browsing and mobile device applications.

Supported Software

The Camera is supported by the Videoteknika VVMS-*Xpert*™ VMS. The VVMS-*Xpert*™ VMS is a modular Video Management Software dedicated for Videoteknika IP cameras expandable up to 1024 Channels per server. A 64 Ch version VVMS-*Advanced*™ is supplied as a free bundled software with all Videoteknika IP Cameras. VVMS-*Mobile*™ is also available on Iphone and Android applications. Videoteknika IP cameras are supported by various leading software development VMS partners.

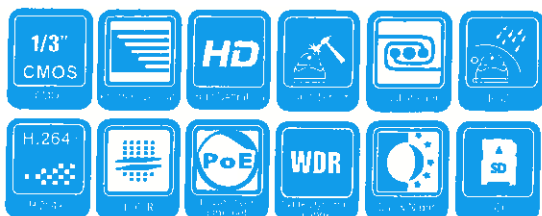
Main Features

- Full HD (1080p) Real time video
- Up to 4 Megapixel (2688 x 1520) Resolution
- 1/3" progressive scan CMOS
- 2-Way Audio, Built-in Audio & Alarm Input/Output (Optional)
- IP67 & IK10 rated for Outdoor use
- Built-in IR Illuminator, Effective 30 metres
- 120DB Wide Dynamic Range
- True Day & Night IR Cut Filter (auto-switch)
- Fixed Lens 2.8 (Optional 4mm)
- Dual Simultaneous Streaming
- Supported Video Compressions : H.264/MJPEG/H.264+
- ROI, BLC, 3D-DNR, Privacy Masking, Reset, Mirror, etc.
- Protective Vandal Resistant IK10 rated Housing
- Power Over Ethernet (POE)
- NAS – Network Storage Compatible
- ONVIF,PSIA,CGI compatible
- Built-in Micro SD / SDHC card slot for local storage
- Videoteknika – VVMS-*Advanced*™ VMS software included
- Videoteknika – VVMS-*Mobile*™ supported on App Store

VD7674(WDR)

IP 4MP Dome

Full HD 1080p



IP Video Surveillance

VD7677A Dome Camera

4MP Full HD 1080p



Overview

VIDEOTEKNIKA VD7677A is a compact, stylish and high impact vandal resistant varifocal dome camera with WDR designed for outdoor applications with a 4 Megapixel sensor enabling a viewing resolution of 2688 x 1520 (Full HD 1080p Real Time). The multitasking day & night camera provides unlevelled cost effective performance making the product a market leader in its segment. The camera allows versatile indoor use through its True Day & Night feature and its vandal resistance. The VD7677A camera incorporates a 1/3" CMOS chip with progressive scan technology enabling sharp images in highly populated locations. The VD7677A also supports POE.

Supported Compression

The VD7677A supports MJPEG compression technology, a digital video encoding standard where each video frame is separately compressed into a JPEG image. The VD7677A also supports the industry standard H.264 compression, the most recent compression technology that reduces drastically video file sizes therefore allowing for better storage and lowers bandwidth demands.

Dual Streaming

The VD7677A allows for dual independent streaming images to pass through the video coder. The resolution, frame rate and bit rate can be set independently on both streams. The main application for dual streams allows for high resolution and high frame rate streaming for recording while allowing lower resolution and frame rate for computer browsing and mobile device applications.

Supported Software

The Camera is supported by the Videoteknika VVMS-*Xpert*™ VMS. The VVMS-*Xpert*™ VMS is a modular Video Management Software dedicated for Videoteknika IP cameras expandable up to 1024 Channels per server. A 64 Ch version VVMS-*Advanced*™ is supplied as a free bundled software with all Videoteknika IP Cameras. VVMS-*Mobile*™ is also available on Iphone and Android applications. Videoteknika IP cameras are supported by various leading software development VMS partners.

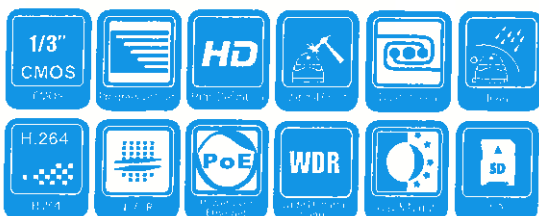
Main Features

- Full HD (1080p) Real time video
- Up to 4 Megapixel (2688 x 1520) Resolution
- 1/3" progressive scan CMOS
- 2-Way Audio, Built-in Audio & Alarm Input/Output
- IP66 & IK10 rated for Outdoor use
- Built-in IR Illuminator, Effective 30 metres
- 120DB Wide Dynamic Range
- True Day & Night IR Cut Mechanical Filter (auto-switch)
- Varifocal Lens 2.8 ~ 12mm
- Dual Simultaneous Streaming
- Supported Video Compressions : MJPEG / H.264
- ROI, BLC, 3D-DNR, Privacy Masking, Reset, Mirror, etc.
- Protective Vandal Resistant IK10 rated Housing
- Power Over Ethernet (POE)
- Supports ePTZ for data efficiency
- NAS – Network Storage Compatible
- ONVIF,PSIA,CGI compatible
- Built-in Micro SD / SDHC card slot for local storage
- Videoteknika – VVMS-*Advanced*™ VMS software included
- Videoteknika – VVMS-*Mobile*™ supported on App Store

VD7677A

IP 4MP Dome

Full HD 1080p



VIDEOTEKNIKA SRL – SANSEPOLCRO (AR) VIA DEL PETRETO 4 CAP 52037

Videoteknika SRL (Perugia) Registered in Chambers of Commerce, Arezzo, Italy. Registration No. 21761

Website: www.videoteknika.com

Email: sales@videoteknika.com

IP Video Surveillance VN1004-4P

Network Video Recorder



Overview

VIDEOTEKNIKA 1000 Series is a reliable range of Network Video Recorders with Full HD 1080p local display capability and recording benchmark of up to 5 Megapixel. The VN1004-4P ensures unrivaled video recording quality in multiple applications on an open platform in live and also in playback. The VN1004-4P has a standard availability of 1 Hard Disk bays allowing recording capacity of up to 6TB. Backup facility is available via the network ports through the VVMS and allows for local backups via USB. This NVR comes with 4 independent PoE network interfaces.

Supported Software

The NVR is supported by the Videoteknika VVMS-Xpert™ VMS. The VVMS-Xpert™ VMS is a modular Video Management Software dedicated for Videoteknika IP cameras expandable up to 1024 Channels per server. A 64 Ch version VVMS-Advanced™ is supplied as a free bundled software with all Videoteknika IP Cameras. VVMS-Mobile™ is also available on iPhone and Android applications. Videoteknika IP cameras are supported by various leading software development VMS partners.

Supported Cameras

The VN1004-4P supports all Videoteknika IP Cameras and is fully compatible with our Videoteknika's VVMS Software. The VN1004-4P functions on an open platform policy allowing for various 3rd party IP camera integration. Within the Videoteknika range various video encoders and video decoders are available to further more expand the flexibility for the system integrator and ensure total system synchronization. Each channel on-board the NVR allows for dual streaming with the mainstream supporting up to 5MP of recording resolution.

Storage Features

The VN1004-4P allows for individual channel recording allocation ensuring the right data capacity is assigned through the relative camera depending on its streaming resolution. Instant playback is also possible via the Videoteknika reverse instant playback capability which is unique to Videoteknika NVRs. Digital zooming while live or playback is standard with any high resolution recording camera.

Main Features

- 4 CH Built-in POE
- Recording Quality up to 5MP
- 40Mbps Incoming Bandwidth /
- 80 Mbps Outgoing
- 2-Way Audio
- USB 2.0 X 2
- VCA Video Content Analytics
- Simultaneous HDMI & VGA outputs
- Self Adaptive 10m/100m network interface
- P2P remote access supported Push Notifications
- Up to 6TB (single SATA port)
- Videoteknika - VVMS-Advanced™ VMS software included
- Videoteknika - VVMS-Mobile™ supported on App Store